

POE-SW805G5U-Solar

5 Ports Solar & UPS POE Switch with built-in 5A Solar Charge Controller, Provide POE 48V/24V Outputs for IP cameras and Wireless APs



Outstanding Features

- **SOLAR PoE SWITCH** - Industrial PoE Switch with built-in solar charge controller, working directly with PV solar panels (Max. 300W) and batteries to supply non-stop PoE power for security cameras, Wireless bridges, LED lights, etc.
- **FIVE PoE OUTPUTS** - Port 1: Up to 802.3bt PoE++ 60W output; Port 2-3: PoE+ 30W output; Port 4-5: PoE+30W or Passive 24V PoE output; Total PoE budget 65W.
- **BATTERY MANAGEMENT** - Compatible to Lead acid battery, LiFePO4 battery and Ternary Lithium battery.
- **UPS PoE SWITCH** - Support external DC input (DC 15V ~ 36V) for UPS application, flexible and stopless power supply from external power, solar panel or battery.
- **PASSIVE PoE 24V OUTPUT** - The port 4 and 5 can be set to Passive PoE 24V mode, and provide direct PoE power to wireless bridges or APs.
- **INDUSTRIAL DESIGN** - Designed for harsh environment (-4 °F ~ 140 °F), Fanless metal enclosure, 6KV surge protection.

Application

- Solar power system for security cameras, wireless bridges and APs.
- UPS power system to ensure non-stop PoE power supply for cameras and wireless bridges.

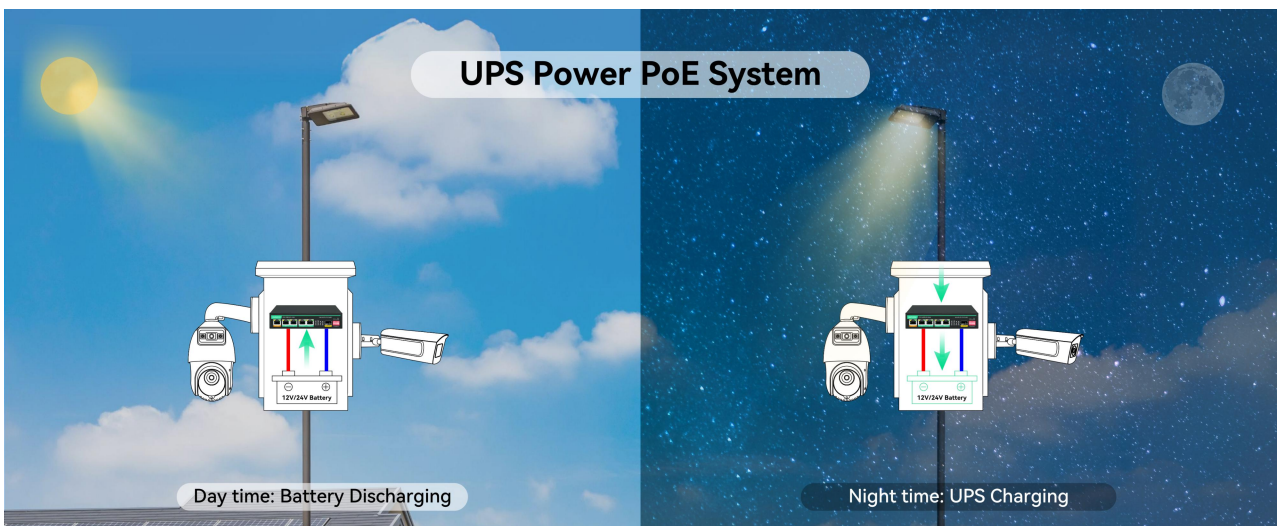
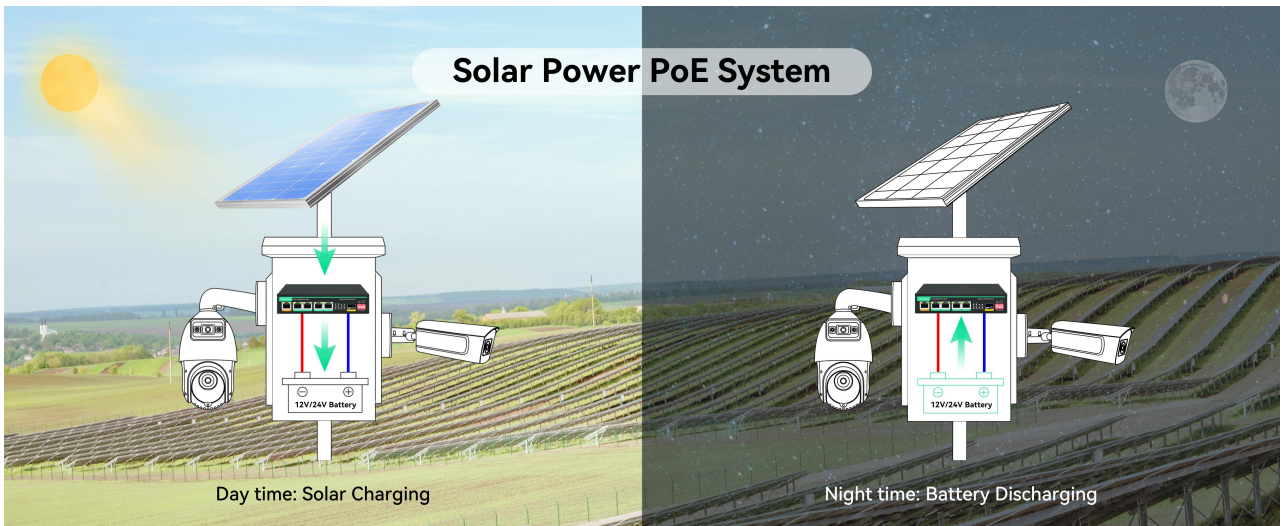
Specification

Solar & UPS Management	
Flexible Power Supply and Priority	Solar Power > External DC > Battery
Built-in Solar Charge Controller	Yes (PWM Controller)
Solar PV Input	300W Max ≤32V(in DC 12V Mode) or ≤45V(in DC 24V Mode)
Max. Charging Current	5A
Support external DC charging	Yes
DC Input Range	For 12V Battery: DC 15-26V; For 24V Battery: DC 30-36V
Built-in Battery Management	Yes
Battery Type	Lead Acid/Lithium/LiFePO4
Battery Input	12/24V 5A
Battery Capacity	50AH
Discharge Current	8A
POE Switch	
Interfaces	(5) 10/100/1000Base-T RJ45 Ports (1) 1.25G SFP Slot
PoE Outputs	Port 1: 802.3bt PoE++ 60W (Pin 1/2/4/5+, 3/6/7/8-) Port 2-3: 802.3af/at PoE 30W (Pin 1/2+, 3/6-) Port 4-5: 802.3af/at PoE 30W (Pin 1/2+, 3/6-) or Passive 24V PoE 24W (Pin 4/5+, 7/8-)
Total PoE Budge	65W
Exchange Capacity	12Gbps
Packet Forwarding Rate	8.94Mpps
Mac Address Table	2k
Packet Buffer Memory	2.4Mb
Jumbo Frame	10240 Bytes
Protection Level	6kV Lightning protection 6kV ESD Contact discharge
System	
Enclosure	Metal, fanless design
Dimension	5.91 x 5.12 x 1.34 Inches (160×130×34 mm)
Net Weight	1.61 lbs (0.73kg)
Power Consumption	5W Max (without PoE output)
Protection Level	6kV Lightning protection 6kV ESD Contact discharge
Working Temperature	-4 °F ~ 140 °F (-20°C ~ 60°C)
Storage Temperature	-22 °F ~ 158 °F (-30°C ~ 70°C)
Working Humidity	10% ~ 90% RH non-condensing
Storage Humidity	5% ~ 90% RH non-condensing

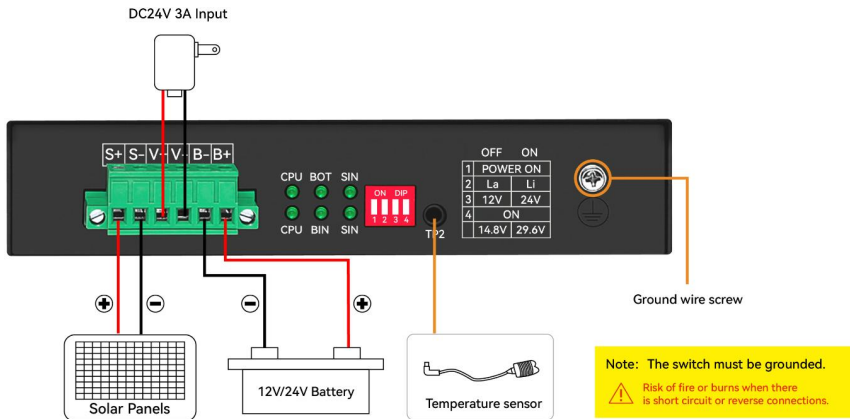
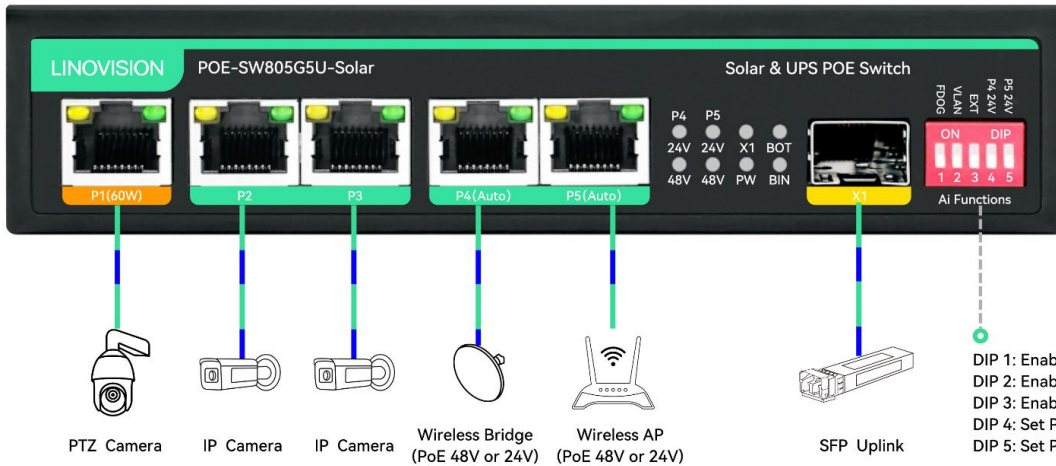
Connection Diagram



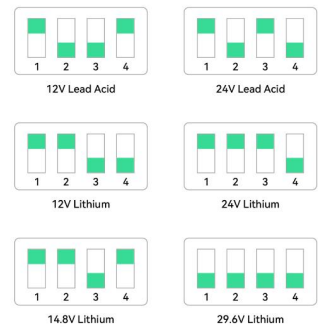
Application



Panel Connection



Back Panel DIP Switch to Set Battery Type



Dimensions



Weight: 0.73kg (1.61 lb)