

DS-2AE4223T-A3

TurboHD 2 MP Indoor PTZ Dome Camera

- 1/3" Progressive Scan CMOS
- 1920 x 1080
- 23x Optical Zoom
- DWDR
- 3D Intelligent Positioning Function
- Supports TurboHD and BNC Output
- Standard Indoor or In-Ceiling (Includes Bracket) Mounting
- IK10/IP54
- 24 VAC, 12 W



The Hikvision DS-2AE4223T-A3 2 MP Indoor PTZ Dome Camera provide high definition analog output up to 1080p. TurboHD means that the analog signal can be sent over existing coaxial cable, eliminating the need to run new cables for high definition video.

The 4 mm to 92 mm 23x lens allows the correct angle of view to fit any situation. Digital WDR (Wide Dynamic Range) ensures images will be optimal, no matter what the lighting conditions.

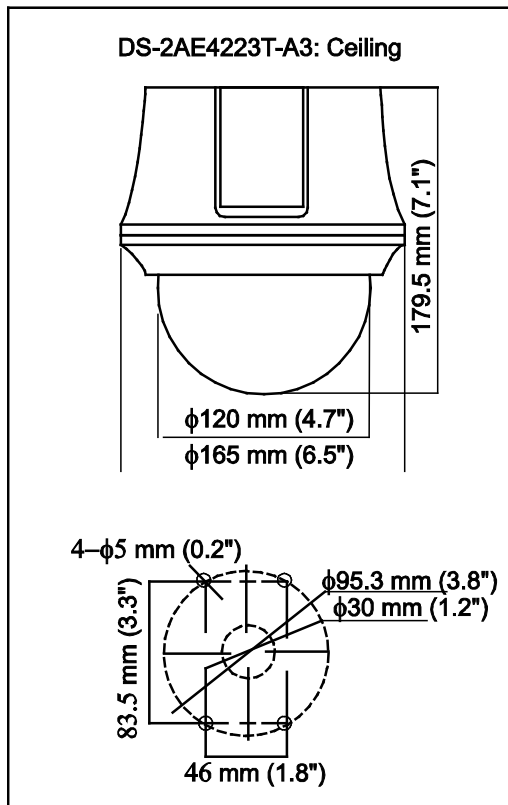
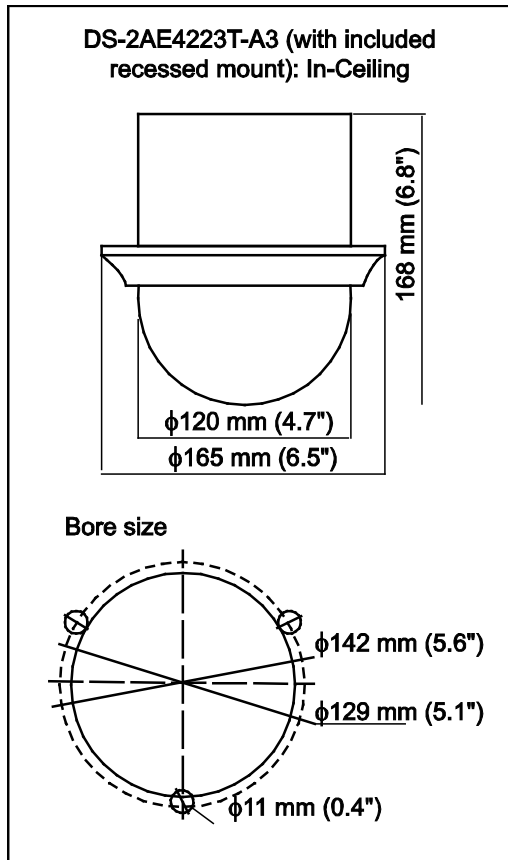
This camera also features a range of Smart functions, including line crossing, intrusion, and region entrance and exit, benefitting users with great improvements on security efficiency and, more importantly, with key events and objects being recorded for further forensic needs.

Available Models:

DS-2AE4223T-A3: Includes recessed in-ceiling mount



Dimensions



DS-2AE4223T-A3	
Camera Module	
Image Sensor	1/3" progressive scan CMOS
Minimum Illumination	Color: 0.05 lux @ f/1.6, AGC on; B/W: 0.01 lux @ f/1.6, AGC on
Max. Image Resolution	1920 x 1080
Focal Length	4 mm to 92.0 mm, 23x
Digital Zoom	16x
Zoom Speed	Approximately 3s (optical wide to tele)
Angle of View	49° to 2.2° (wide to tele)
Min. Working Distance	10 mm to 1,000 mm (wide to tele)
Aperture Range	f/1.6 to f/3.7
Focus Mode	Auto/semiautomatic/manual
DWDR	Supported
S/N Ratio	□ 50 dB
Shutter Speed	1 s to 1/10,000 s
AGC	Auto/manual
White Balance	Auto/manual/ATW/indoor/outdoor
Day/Night	IR cut filter
Privacy Mask	8 privacy masks programmable; a maximum of 8 zones can be masked simultaneously on the same video screen
Enhancement	3D DNR, BLC, EIS
Pan and Tilt	
Range	Pan: 360° endless; tilt: 0° to 90° (auto flip)
Speed	Pan manual speed: 0.1° to 160°/s, pan preset speed: 160°/s tilt manual speed: 0.1° to 120°/s, tilt preset speed: 120°/s
Number of Presets	256
Patrols	8 patrols, up to 32 presets per patrol
Patterns	4 patterns, with the total recording time not less than 10 minutes
Park Actions	Preset/patrol/pattern/pan scan/tilt scan/panorama scan
Scheduled Tasks	Preset/patrol/pattern/pan scan/tilt scan/panorama scan
RS-485	
Communication	Supported
Diagnosis	
Input/Output	
TurboHD Output	1 TurboHD 720p/1080p output, 1.0 V[p-p]/75 Ω, NTSC (or PAL) composite, BNC
CVBS Outputs	1.0 V[p-p]/75 Ω, NTSC (or PAL) composite, BNC
Alarm Inputs	2
Alarm Outputs	1
RS-485 Interface	Half-duplex mode Self-adaptive HIKVISION, Pelco-P, Pelco-D protocol
UTC Function	HIKVISION_C
General	
Menu Language	English
Power	24 VAC, maximum 12 W
Working Temperature/ Humidity	14° F to 122° F (-10° C to 50° C) Humidity: 90% or less
Protection Levels	IK10, IP54, TVS 4,000 V lightning, surge, and voltage transient protection
Mounting	Various mounting modes optional
Dimensions	Φ7.28" x 12.99" (Φ185 mm x 330 mm)
Weight (approximate)	8.81 lbs (4 kg)