

EOC-Switch24

24 ports POE & EOC Hybrid Switch, 100Mbps WEB managed, two GE uplink, 360W power budget



This Industrial Managed 24 Port POE & EOC Hybrid Switch is a POE Switch with Ethernet Over Coax Technology, which enables POE IP transmission over coaxial cable and power over ethernet cable transmission.

Outstanding Features

- **【POWER OVER ETHERNET PORT CONFIGURATION】** 24 ports Industrial POE switch with 2 ports GE unlinks. Port 1-8 support ePOE long distance transmission. Port 1-24 support 10/100M. Port 25-26 support 10/100/1000M.
- **【DATA/POWER TRANSMISSION OVER COAX】** First 8 ports support both POE Power Over Ethernet and EOC IP Over Coax transmission, max 3000ft data and POE transmission distance.
- **【SMART MANAGEMENT】** Ethernet Smart Managed 24 PoE Switch. Layer-two web management, POE port management, VLAN, STP/RSTP, QOS, etc, which helps high speed data forwarding.
- **【HIGH POWER BUDGET】** IEEE802.3af/IEEE802.3at compliant. Port 1-2 support Hi POE, max output up to 60W. Each port max 30W POE power output, total power budget 360W

Optional Accessory

Specification

Hardware	
Included Power Adapter	Yes
PoE	Yes
Ethernet Port	24
Ethernet Port Speed	10/100 Mbps
Ethernet Port Uplink Speed	10/100/1000 Mbps
Optical Port Uplink Speed	1 Gbps
Description of Function Slots	Port 1–24: 24 × RJ-45 10/100 Mbps Port 25–26: 2 × RJ-45 10/100/1000 Mbps Port 25–26: 2 × SFP 1000 Mbps (combo)
Debugging	1 × Console port
Reset Button	1
Power Supply	Built-in power supply: 100–240 VAC, 50/60 Hz, 6 A
Operating Temperature	–10 °C to +55 °C (+14 °F to +131 °F)
Operating Humidity	5%–95% (RH)
Storage Temperature	–20 °C to +70 °C (–4 °F to +158 °F)
Storage Humidity	5%–95% (RH)
Power Consumption	Full load: 360 W
Performance	
Layer	Layer 2
Management Type	Yes
Switching Capacity	8.8 Gbps
Packet Forwarding Rate	6.55 Mpps
Packet Buffer Size	2.75 Mbit
MAC Table Size	4K
VLAN Number	31
Communication Standard	IEEE802.3; IEEE802.3u; IEEE802.3X; IEEE 802.3ab; IEEE 802.3z
Feature	
PoE Protocol	IEEE802.3af; IEEE802.3at; Hi-PoE
PoE Power	Port 1–2 ≤60 W; Port 3–24 ≤30 W; Total ≤360 W
PoE Power Consumption Management	PoE power consumption management; PoE power on/off; Turns off PoE if overload is detected; Green PoE
PoE Pin Assignment	1, 2, 4, 5 (V+), 3, 6, 7, 8 (V-)
ePoE	Yes
Spanning Tree Protocol	STP/RSTP
VLAN Function	Port-based VLAN
Link Aggregation	Static link aggregation LACP
IEEE 802.3x Flow Control	Yes
Multicast	IGMP Snooping v1/v2
DHCP Function	DHCP Client
Security	Multi-level user management and password; protection; 802.1X; RADIUS; Port isolation
QoS/ACL	SP/WRR queue scheduling
Equipment Management	SNMPv1/v2/v3; System logs, multi-level alarms; LLDP
General	
Statics Protection	Air discharge: 8 kV; contact discharge: 6 kV
Lighting Protection	Common mode: 4 kV; differential mode: 2 kV
Net Weight	3.44 kg (7.58 lb)
Gross Weight	4.42 kg (9.74 lb)
Product Dimensions	440 mm × 300 mm × 44 mm (17.32" × 11.81" × 1.73") (L × W × H)
Packaging Dimensions	565 mm × 530 mm × 415 mm (22.24" × 20.87" × 16.34") (L × W × H)
Casing Material	Sheet metal
Installation	Desktop mount; rack mount
Certifications	CE; FCC

Specification

Transmission Performance:

ePoE Power Supply Specifications (CAT)

Cable Length (m)	Communication Bandwidth (Mbps)	PoE Max Load Capacity (W)	Hi-PoE Max Load Capacity (W)	Network Operating Mode
100	100	25.5	53	IEEE/E100
200	100	25.5	47	E100
300	100	25.5	32	E100
400	10	23	26	E10
500	10	20	20	E10
800	10	13	13	E10

ePoE switch supply voltage 53V.

CAT6, max. DC resistance < 10Ω/100m.

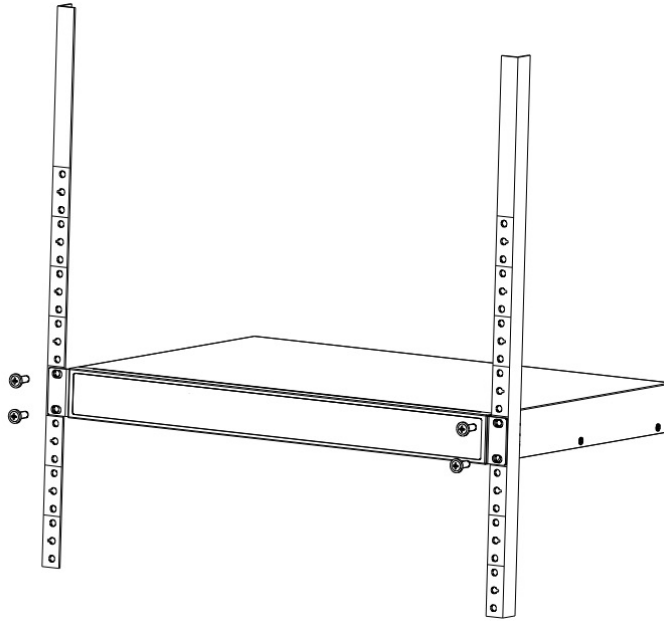
ePoE Power Supply Specifications (RG59 Coaxial Cable)

Cable Length (m)	Communication Bandwidth (Mbps)	PoE Max Load Capacity (W)	Hi-PoE Max Load Capacity (W)	Network Operating Mode
100	100	25.5	52	IEEE/E100
200	100	25.5	48	E100
300	100	25.5	30	E100
400	100	20	23	E100
500	10	16	16	E10
800	10	10	10	E10
1000	10	8	8	E10

ePoE switch supply voltage 53V.

RG-59, max. DC resistance < 5Ω/100m.

Installation



Panels



Dimension

