

GO SOLO DoorBell

4G LTE Solar Power Doorbell Kit with Two-Way Talk and Remote Door Control



Outstanding Features

- Complete solar power camera kit, easy to install and setup
- 600Wh high capacity lithium battery to keep the system running around 72 hrs on rainy days
- Built-in unlocked industrial 4G LTE router, compatible with AT&T, T-Mobile, and Verizon (SIM Card is not included)
- Two-way audio
- Access control function supports multiple door modes
- Magnetic door alarm input
- High-performance SOC Processor
- Auto-uploads captured pictures to an FTP server or the client software while unlocking the door
- Event actions include motion detection, picture capturing, and call button pressing
- -50 to 50° field of view adjustment
- IP66 and IK09 rated for outdoor use
- Onboard 256GB storage for one-month continuous recording
- Free mobile App for both Android & iOS (App name: Guarding Vision)
- Optional API document for 3rd party system integration

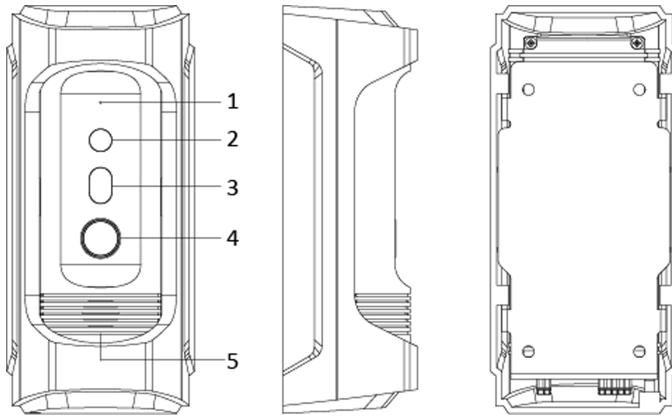
What is included in this camera:

- Solar panel 100W and pole mount bracket
- 600WH lithium battery with built-in charge controller
- One 2MP Vandalproof doorbell camera (Intercom-Door01)
- Built-in 4G LTE cellular router (SIM card needs to purchase separately)
- 256GB SD Card

Camera Specification

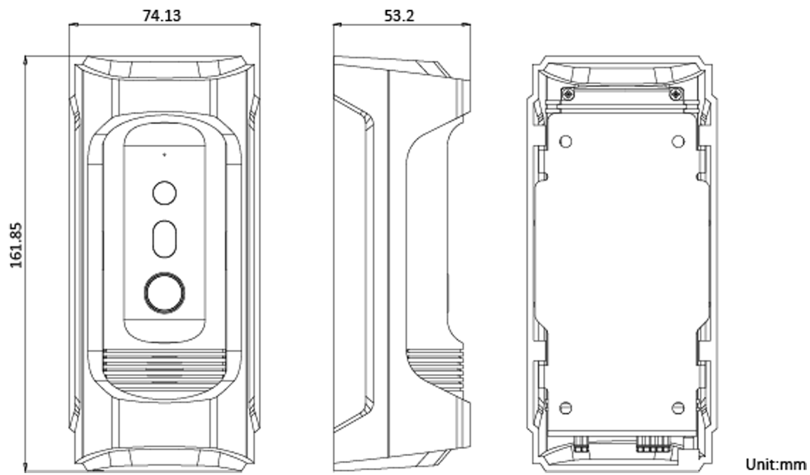
Video parameters	
Video compression standard	H.264
Audio parameters	
Audio input	Built-in omnidirectional microphone
Audio output	Built-in loudspeaker
Audio compression bitrate	64 Kbps
Audio quality	Noise suppression and echo cancellation
Network parameters	
Ethernet	PoE, 10/100 Mbps self-adapted
Network protocol	TCP/IP, RSTP
Device interfaces	
Alarm input	1
Debugging port	1
General	
Power supply	IEEE802.3af, standard POE DC12V
Power consumption	< 10 W
Working temperature	-30° C to +50° C(-22° F to 122° F)
Working humidity	10% to 90%
Impact protection	IK 09
Ingress protection level	IP 65
Dimensions (L x W x H)	161.85 mm × 74.13 mm × 53.2 mm(6.37" × 2.92" × 2.09")
Installation	Surface mounting
Language	English, French, Portuguese (Brazil), Spanish, Russian, German, Italian, polish, Arabic, Turkish, Vietnamese, Hungarian, Dutch, Romanian, Czech, Bulgarian, Ukrainian, Croatian, Serbian

Interface



No.	Description
1	Microphone
2	Built-in Camera
3	Low Illumination Supplement Light
4	Call Button
5	Loudspeaker

Dimension



4G LTE Router Specification

4G LTE Bands	US Version: B2/B4/B5/B12/B13/B14/B66/B71@FDD LTE (For North America, AT&T, T-Mobile, Verizon)
	EU Version: B1/B3/B5/B7/B8/B20/B28A@FDD LTE (For European Countries)
	AU Version: B1/B2/B3/B4/B5/B7/B8/B28@FDD LTE, B40@TDD LTE (For Australia)

Battery Specification

SKU	Solar-S1250
Battery Type	Lithium Solar Battery (Li-ion Battery) with built-in charge controller
Nominal Voltage	11.1V
Rated Capacity	50Ah
Energy	555Wh
Charge Voltage CutOff	12.5V
Maximum Continuous Charge Current	10A
Discharge Under-Voltage Protection	9V
Reconnect Voltage	10.5V
Dimension	330 x 160 x 90 mm (12.99" x 6.3" x 3.54")
Weight	4.5kg (9.92 Lbs)

Solar Panel Specification

Solar Panel Type	Monocrystalline solar panels, 36 cells
Maximum Power at STC	100W
Optimum Operating Voltage (Vmp)	20.4V
Open-Circuit Voltage (Voc)	24.3V
Optimum Operating Current (Imp)	4.91A
Short-Circuit Current (Isc)	5.21A
Operating Temperature	-40°F to 176°F
Panel Leads (Pair)	14 AWG (1.96 ft)
Weight	14.1lbs/6.4kg
Dimension	41.8 x 20.9 x 1.38 in