

## GO SOLO PTZ542

4MP 25X Pro Full Integrated Solar-powered Security PTZ Camera Kit



### Outstanding Features

- Supports performance mode and low power mode. The consumption is 3W in low power mode, and 0.3 W in sleep mode.
- Built-in heating glass for effective defog
- Water and dust resistant (IP66)
- The built-in eMMC storage is up to 256GB.
- Supports Wi-Fi AP for short-distance debugging; The Wi-Fi function of the device only works as AP mode on Channel 11, no other modes and channels are supported
- Supports 12V 1A reverse power supply
- Expansive nightview with up to 150m IR distance

## Specification

	1/2.8" progressive scan CMOS
Max. Resolution	2560 ×1440
Min. Illumination	color: 0.05Lux@ (F1.6 , AGC ON)  B/W: 0.01Lux@(F1.6 , AGC ON)  0 Luxwith IR
Shutter Speed	1 s~1/30,000 s
Day & Night	IR cut filter
Zoom	25 ×optical,16 ×digital
Slow Shutter	yes
HLC	yes
3D DNR	yes
<b>Lens</b>	
Focal Length	4.8 mm~120 mm
FOV	Horizontal field of view: 55° to 2.4° (wide-tele), Vertical field of view: 33° to 1.4° (wide-tele), Diagonal field of view: 61.5° to 2.8° (wide-tele)
Focus	semi-auto  manual  auto
Aperture	F1.6
Zoom Speed	approx.3.6s
<b>Illuminator</b>	
Supplement Light Type	IR
Supplement Light Range	IR distance: up to 150m
<b>PTZ</b>	
Movement Range (Pan)	360°
Movement Range (Tilt)	-15° to 90° (auto flip)
Pan Speed	pan speed: configurable from 0.1° to 120°/s; preset speed: 120°/s
Tilt Speed	tilt speed: configurable from 0.1° to 80°/s, preset speed 80°/s
Proportional Pan	yes
Presets	300
Preset Freezing	yes
Patrol Scan	8 patrols, up to 32 presets for each patrol
Pattern Scan	4 pattern scans
ParkAction	preset  pattern scan  patrol scan  auto scan  tilt scan  randomscan  frame scan  panorama scan
3D Positioning	yes
PTZ Status Display	yes
Scheduled Task	preset  pattern scan  patrol scan  auto scan  tilt scan  randomscan  frame scan  panorama scan  dome reboot  dome adjust  auxoutput
Power-off Memory	yes
<b>Video</b>	
Main Stream	50 Hz : 25 fps ( 2560 ×1440 , 1920 ×1080 , 1280 ×960 , 1280 ×720 )
Sub-Stream	60 Hz : 30 fps ( 2560 ×1440 , 1920 ×1080 , 1280 ×960 , 1280 ×720 ) 50 Hz : 25 fps ( 704 ×576 , 640 ×480 , 352 ×288 )
	60 Hz : 30 fps ( 704 ×480 , 640 ×480 , 352 ×240 )

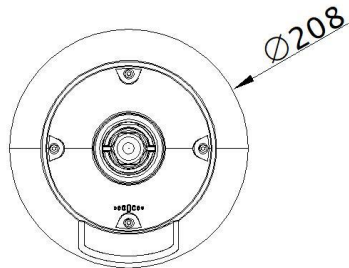
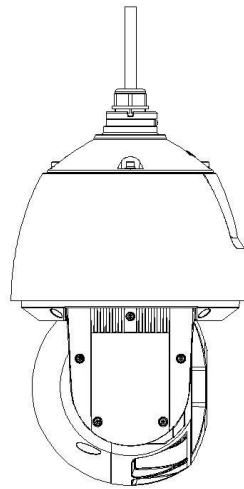
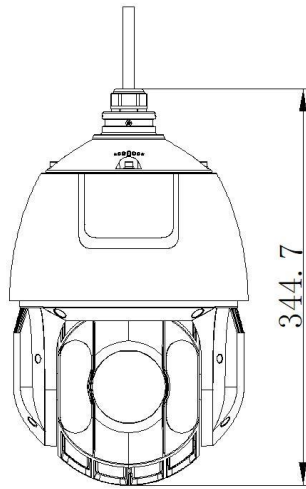
ThirdStream	50 Hz : 25 fps ( 1920 ×1080 , 1280 ×960 , 1280 ×720 , 704 ×576 , 640 ×480 , 352 ×288 ) 60 Hz : 30 fps ( 1920 ×1080 , 1280 ×960 , 1280 ×720 , 704 ×480 , 640 ×480 , 352 ×288 )
Video Compression	H.265  H.264  MJPEG
H.264 Type	BaselineProfile  MainProfile  HighProfile
H.265 Type	MainProfile
Scalable Video Coding(SVC)	yes
Region of Interest (ROI)	fixed region
<b>Audio</b>	
Audio Compression	G.711,G.722.1,G.726,MP2L2,MP3,PCM,AAC-LC
Audio SamplingRate	MP2L2: 16 kHz, 32 kHz, 48 kHz,AAC-LC: 16 kHz, 32 kHz, 48 kHz,PCM: 8 kHz, 16 kHz, 32 kHz , 48kHz,MP3: 8 kHz, 16 kHz, 32 kHz, 48 kHz
Environment Noise Filtering	yes
<b>Network</b>	
Protocols	IPv4/IPv6  HTTP  HTTPS  802.1x  Qos  FTP  SMTP  UPnP  SNMP  DNS  DDNS  NTP  RTSP  RTCP  RTP  TCP/IP  UDP  IGMP  ICMP  DHCP  Bonjour  WebSockets
API	Open-endedAPI   ISAPI  Hikvision SDK  Third-party management platform  Hik-Connect  ISUP  Open Network Video Interface
User/Host	32
Security	Authenticated username and password  MAC address binding  HTTPS encryption  802.1X authenticated access  IP address filter
Network Storage	NAS (NFS, SMB/ CIFS)
Client	iVMS-4200
Web Browser	Chrome 57+、 Firefox 52+、 Safari 12+  IE10-11
<b>Wireless (Wi-Fi)</b>	
Wireless Range	Up to 20m (The performance varies based on actual environment)
<b>Wireless (Mobile Communication)</b>	
Frequency	LTE FDD/LTE TDD/WCDMA/HSPA+/GSM/GPRS/EDGE
Standard	LTE FDD:Band 1,3,5,7,8,20,28 LTE TDD:Band 38,40,41 WCDMA/HSPA+:Band 1,5,8 GSM/GPRS/EDGE:850/900/1800MH
<b>Image</b>	
Image Parameters Switch	yes
Image Settings	saturation  brightness  contrast  sharpness
Day/Night Switch	day  night  auto  scheduled-switch
Wide Dynamic Range(WDR)	yes
SNR	> 52dB
Defog	yes
Image Enhancement	BLC
Privacy Mask	up to 24 masks  maskcolor configurable
Regional Focus	yes
Regional Exposure	yes

Interface	
Ethernet Interface	RJ45, self-adaptive 10M/100MEthernet port
On-boardStorage	Built-in memory card slot, support microSD/microSDHC/microSDXCcard, up to 512 GB,Built-in eMMC storage, up to 256GB
Audio	1 audio input, 2.0 to 2.4Vp-p,1kOhm±10%, 1 audio output, line level, impedance: 600 Ω
Alarm	2 alarminputs
Reset	yes
Power Output	12 VDC, max. 1000 mA
Event	
Basic Event	Motion detection,video tampering alarm,alarminput and output,exception (network disconnected, IP address conflict, illegal login,HDDfull, HDDerror)
Smart Event	Line crossingdetection,intrusion detection,regionentrance detection,region exiting detection,unattended baggagedetection,object removal detection,audio exception detection, Face detection
Linkage	Upload to FTP/NAS/memorycard,notify surveillance center,send email,trigger alarm output,and PTZactions (such as preset, patrol scan, pattern scan)
General	
Power	12 VDC
Dimension	Ø208 mm ×344.8 mm
Weight	Approx. 29.9 kg (65.9 lb.) WithPackage Weight:Approx. 35.3 kg(77.8 lb.)
Material	Metal
OperatingCondition	-30°C to 65°C (-22°Fto 149°F)
Demist	yes
Power Consumptionand Current	Max. 20W (includingmax. 7 W for IR and max. 1.6W for heater);
Battery	
Battery Type	Lithium
Battery Voltage	10.8 V
Capacity	360WH (90 WH for each battery)
OperatingTemperature	Charging:-20 °C to 45 °C(-4 °F to 113 °F) Discharging: -20°Cto 60 °C(-4 °F to 140 °F)
Cycle Lifetime	Performance mode: 2 days. Proactive mode: 2.5 days. Standby mode: 80days *in cloudy/rainy days (25 °C)
Battery Life	More than 500cycles
Battery Weight	Approx. 2.74kg (6.0 lb.) (0.685 kg(1.5 lb.) for each battery)
Approval	
Protection	IP66 Standard; 6000VLightningProtection, Surge Protection and Voltage Transient Protection

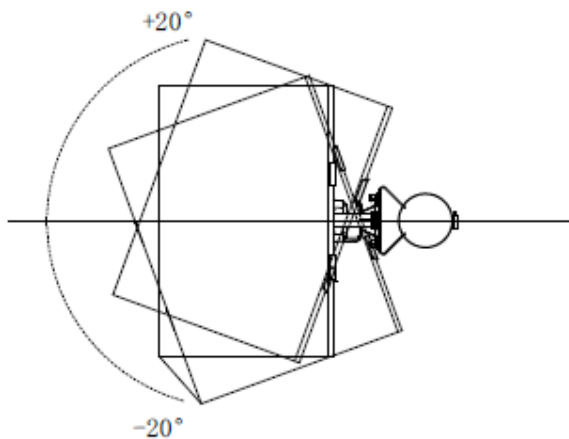
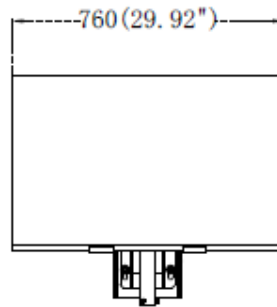
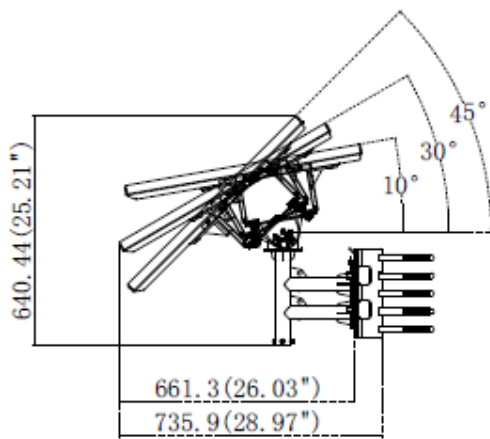
### ▪ Available Model

- DS-2DE5425WG-K/4G
- DS-2DE5425WG-K/4G(US)
- DS-2DE5425WG-K/4G(LA)
- DS-2DE5425WG-K/4G(JP)

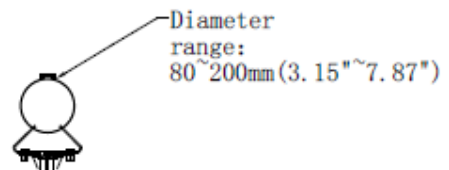
Dimension



Unit:mm



Pole Mount



Accessory Included



▪ Optional

