

IOT-CPE5G

Outdoor 5G Cellular Router & CPE for High Speed Wireless Internet, WiFi 6, POE

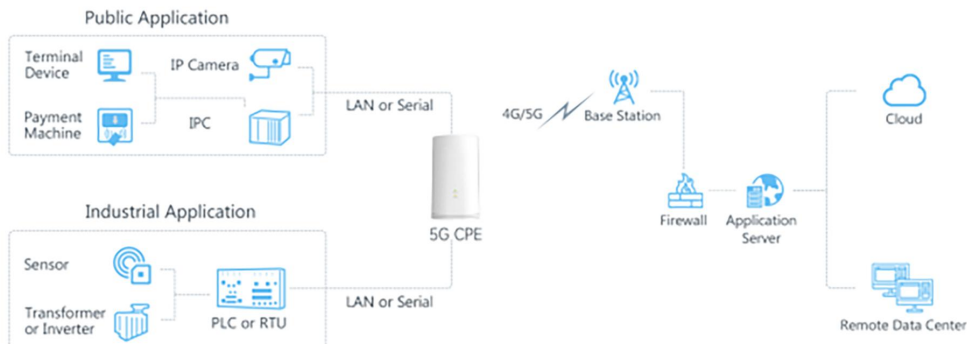


IOT-CPE5G 5G CPE is dedicated to cost effective solutions for 5G wireless networking applications. Adopting a high-performance and low power consumption industrial platform of quad-core CPU and 5G cellular module, IOT-CPE5G supports the global WCDMA, 4G LTE, 5G Sub-6 GHz SA and NSA network and Wi-Fi 6, to provide ultra-fast network to ensure the extremely safe and reliable connection to the wireless network. With IP67 waterproof enclosure, various kinds of installation methods, and authentic design, IOT-CPE5G is competent to both indoor and outdoor applications.

Meanwhile, IOT-CPE5G also supports 2-port Gigabit Ethernet switch, RS232/RS485 serial ports and Digital input/Digital output, which enable you to scale up M2M applications combining data collection and high-speed transmission in a limited time and budget.

IOT-CPE5G is particularly suitable for smart offices, video surveillance, digital media implementations, industrial automation, traffic applications, robots and so on.

Application Example



Fast & Reliable Network

- Industrial-grade quad-core CPU with ARM Cortex-A55 processor, providing high performance for data transmission
- Global 5G NSA&SA/4G LTE network for backup among multiple carrier networks
- Dual carrier aggregation (2CC CA) is supported in the 5G Sub-6GHz frequency band, with wider signal coverage superb speed and downlink speed up to 4.67 Gbps
- Plug & play, supply lightning transmission via Gigabit Ethernet ports or USB Type-C interface
- Support Wi-Fi 6, allows 2.4 GHz & 5 GHz dual band concurrent connections up to 3.6 Gbps download speed
- Embedded eight 5G antennas and four Wi-Fi antennas for best signal reception

Ease of Maintenance

- DeviceHub provides easy setup, mass configuration, and centralized management of remote devices
 - The user-friendly web interface design and more than one option of upgrade help administrators to manage the device as easy as pie
- Support multilevel user authorities for security management

Robust Hardware Design

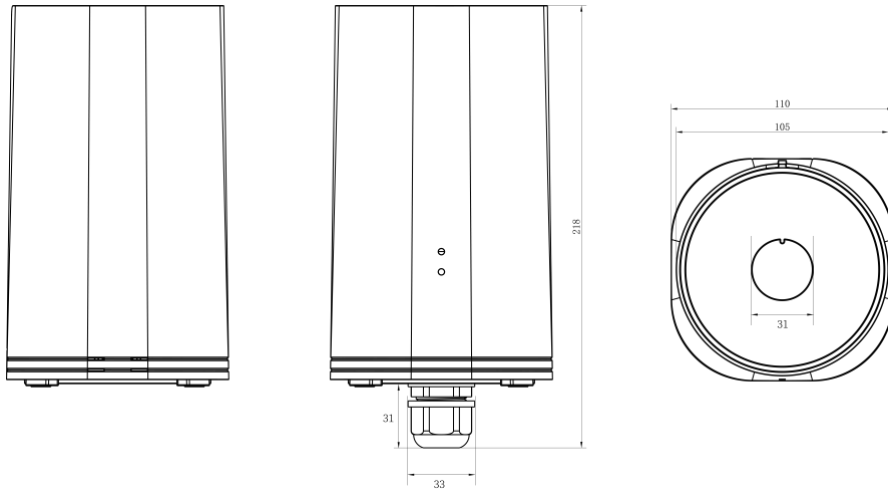
- Equipped with I/O, serial port, and GPS for industrial transmission applications
- Wide operating temperature range from -30°C to 60°C and industrial design for harsh environment
- IP67 waterproof and UV-protective enclosure for outdoor applications
- PoE, DC or USB power supply optional
- Equipped with a vent plug to prevent condensation in the enclosure
- Pole mounting, wall mounting, desktop, bottom screw mounting for various applications
- 3-year warranty included

Security & Reliability

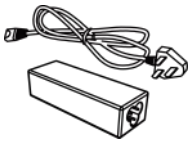
- Automated failover/failback among Ethernet, Cellular and Wi-Fi
 - Secure transmission with VPN tunnels such as IPsec/OpenVPN/L2TP/PPTP
 - Embeds hardware watchdog to automatically recover from various failures, ensure the highest level of availability
 - Equipped with multiple security protection measures such as ACL, DMZ, SYN-Flood protection, and data filtering to ensure that the network is secured.
- Support policy routing and NAT for more secure intranet access

| | |
|------------------------------------|--|
| Hardware System | |
| CPU | Quad-core ARM Cortex-A55, 2GHz |
| Memory | 1 GB LDDR4x RAM and 1GBNANDFlash |
| Cellular Interface | |
| Network | 5GNRSA & NSA/4G LTE/WCDMA |
| Frequency | North America: 5G NR: n2/n5/n7/n12/n25/n38/n41/n48/n66/n71/n77/n78 LTE-FDD: B2/B4/B5/B7/B12/B13/B14/B17/B25/B26/B29/B30/B66/B71 LTE-TDD: B38/B41/B42/B43/B48 LTE-LAA: B46 Europe/Middle East/Africa/Asia/Oceania/Brazil: 5G NR: n1/n3/n5/n7/n8/n20/n28/n38/n40/n41/n77/n78 LTE-FDD: B1/B3/B5/B7/B8/B20/28/B32 LTE-TDD: B38/B40/B41/B42/B43 WCDMA*: B1/B5/B8 |
| Antenna | 8 × Internal Antennas |
| SIM Slot | 1 (MicroSIM-3FF) |
| Ethernet Interface | |
| Numbers | 1 × 10/100/1000/ Mbps(LAN2)1 × 10/100/1000/2500 Mbps(LAN1/WAN) |
| Property | 1 × WAN +1× LANor 2× LAN |
| Mode | Full or Half Duplex (Auto-Sensing) |
| PoE | 1 × 802.3atPoE PD on LAN1/WANPort |
| Wi-Fi Interface(Optional) | |
| Antenna | 4× Internal Antennas |
| Standards | IEEE 802.11b/g/n/ax4 x4MIMO, 2.4GHzIEEE 802.11a/n/ac/ax4x4MIMO, 5GHz |
| Max Bit Rate | 2.4GHz: 1200Mbps, 5GHz: 2400Mbps |
| Modes | AP and ClientMode |
| Security | WEP/WPA/WPA2 authentication, WEP/TKIP/AES encryption |
| GNSS | |
| Antenna | 1× Internal Antenna |
| Technology | GPS/GLONASS/Beidou/Galileo/QZSS |
| Serial Interface | |
| Numbers | 1 × RS485(RS232 Hardware Optional) |
| Connector | 3.5mm Terminal Block |
| Baud Rate | 300bps to 230400bps |
| DI/DO | |
| Numbers | 1 × DI (Dry Contact) + 1 × DO(Wet Contact), Galvanic Isolation |
| Connector | 3.5mm Terminal Block |
| Maximum V/A | 0.3A@30VDC(DO) |
| Others | |
| USB | 1 × USB 3.0(Type-C)for network supplyand debugging |
| Reset Button | 1 × RESET(Internal) |
| LED Indicators | 1 × STATUS, 1 × Cellular Network |
| Built-in | Watchdog, Timer |
| Software | |
| Network Protocols | IPv4/IPv6, TCP, UDP, DHCP, HTTP, HTTPS, ARP, NTP, DNS, ARP, SSH, etc. |
| VPN | IPsec, OpenVPN, L2TP, PPTP |
| Security | Access Control, DMZ, Port Forwarding, SYN-Flood Protection, Filtering (IP & MAC & Domain) |
| Management | Web, DeviceHub, VPN |
| Reliability | WAN Failover |
| Serial Port | Transparent(TCP Client/Server, UDP), Modbus Master, Modbus Gateway (Modbus RTU to Modbus TCP) |
| Power Supplyand Consumption | |
| Power Connector | 2-pin 3.5mm Terminal Block |
| Power Input | 9-48 VDC, with Surge-Protection and Reverse Polarity Protection802.3atPoE PD |
| Power Consumption | Without Wi-Fi: Typical4.8 W, Max 6.5 WWith Wi-Fi: Typical9.9 W, Max 14.4 W |
| Physical Characteristics | |
| Ingress Protection | IP67 |
| Housing | Polycarbonate + Cast Aluminium |
| Dimension | No Waterproof Connector: φ105 x 110x 187mm φ4.13x 4.33x 7.36in)With Waterproof Connector: φ105 x 110x 218mm (φ4.13x 4.33x 8.58in) |
| Installation | Desktop, Pole Mounting, Wall Mounting, Bottom ScrewMounting |
| Environmental | |
| Operating Temperature | -60°C (-22°F to +140°F) |
| Storage Temperature | -40°C to +85°C (-40°F to +185°F) |
| Ethernet Isolation | 1.5 kV RMS |
| Relative Humidity | 0% to 95% (Non-condensing) at 25°C/77°F |

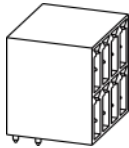
Dimensions (mm)



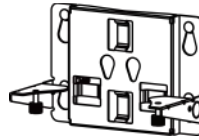
Accessories



1 × PoE Injector



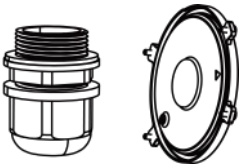
1 × 8-Pin Pluggable Terminal



1 × Mounting Bracket



4 × Rubber Feet



1 × Bottom Cover with Cable Gland



1 × Waterproof Rubber Ring



4 × Wall Mounting Kits



2 × Hose Clamps

*Note: Contact us if you need any other special accessories or customized accessories.