

IOT-S500SWL

LoRaWAN Wireless Submersible Water Level Sensor with Long Life Battery



Outstanding Features

This LoRaWAN Wireless IOT sensor is designed to measure the tank level or open water applications while fully submerged in liquid. It is robust and sealed to prevent corrosion and failure..

- Customizable measuring range up to 200 m
- Submersible pressure sensor not affected by foam, wind, or rain
- IP68 full sealed plastic waterproof design (Transceiver is not included)
- Measuring medium: water (customizable for oil and other non-corrosive media)
- LoRaWAN® Wireless transmission
- Up to 10 Years of Battery Life
- NFC wireless for easy configuration

Specification

Wireless Transmission	
Technology	LoRaWAN®
Antenna	Internal Antenna
Frequency	CN470/IN865/RU864/EU868/US915/AU915/KR920/AS923-1&2&3&4
Tx Power	16dBm(868)/20dBm(915)/19dBm(470)
Sensitivity	-137dBm @300bps
Mode	OTAA/ABP Class A
Measurement	
Pressure Type	Vented Gauge
Range	0 ~ 3m/5m/10m (Customizable up to 200 m)
Supported Liquid	H ₂ O (Customizable for other liquids)
Accuracy	± 0.5% FS
Resolution	0.01 m
Long-term Stability	≤ ± 0.3% FS/year
Others	
LED	1 × LED Indicator (Internal)
Button	1 × Power/Reset Button (Internal)
USB	1 × USB Type-C(Internal) for Configuration and Console
Operation	
Power On & Off	NFC, Power Button (Internal)
Configuration	Mobile App(via NFC), PC software(via USB Type-C), Downlink
Advanced Feature	Data Storage (1000 entries), Data Retransmission, Data Retrievalability, Threshold Alarm
Physical Characteristics	
Cable Length	At least 1-1.5m longer than measuring range
Power Supply	1 × 19000 mAh Li-SOCL ₂ battery (ER34615)

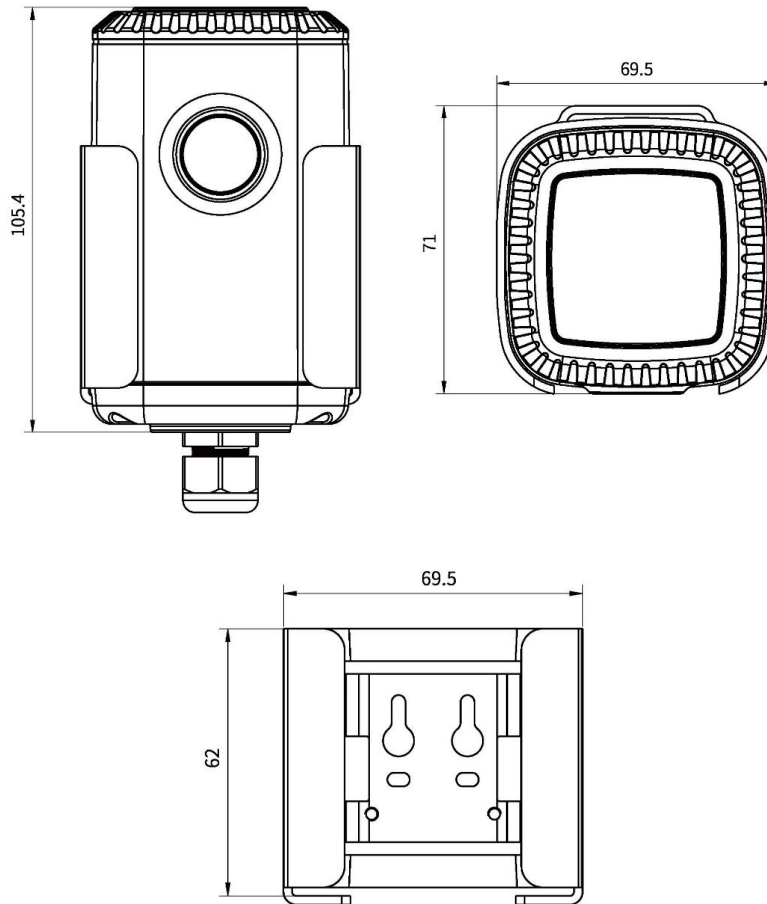
**Disclaimer: Technical specifications may subject to change without prior notice*

Battery Life*(10 min interval, 25°C)	10 years(SF7&SF10, EU868) 10 years (SF7, US915) Around 9 years (SF10, US915)
Operating Temperature	Transceiver: -30°C~70°C Level Sensor: -20°C~70°C
Relative Humidity	0% to 100% (non-condensing)
Ingress Protection	Transceiver: IP67 Level Sensor: IP68
Housing&Color	Transceiver: ABS + PC, Grey Level Sensor: Stainless Steel 316L, Silver
Weight	Transceiver: 328g (With Battery and Mounting Bracket) Level Sensor: Differs as cable length
Dimension	Transceiver: 105.4 × 71 × 69.5 mm (4.1 × 2.8 × 2.7 in) Level Sensor: 130 × φ27 mm (5.1 × φ1.1 in)
Installation	Pole, Wall or DIN Rail Mounting
Approvals	
Regulatory	CE, FCC, ICASA, ISED, Telec
Environmental	RoHS

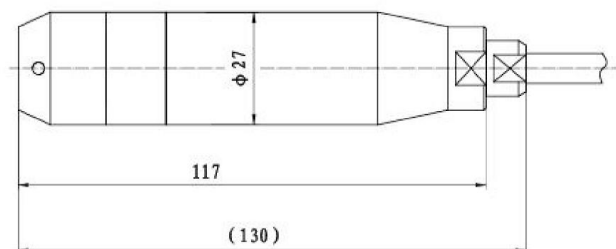
**Disclaimer: Technical specifications may subject to change without prior notice*

Dimension

Transceiver:



Level Sensor:



Package Contents

x1



IOT-S500SWL

x2



Wall Mounting Kits

x2



Fixing Screws

x4



Rubber Screw Caps

x1



Hose Clamps

x1



User Manual