

IPC608EX

4K UltraHD Explosion Proof POE IP Camera with Wide View Lens, Stainless-Steel Case, IR Night Vision for Refine Factory/Ocean Oil Field/Gas Station



Outstanding Features

- **4K ULTRA HD** - Presenting 8 Megapixels (3840x2160) vivid video with 4x more details than regular HD camera; H.FOV 102° and V.FOV 55° wide view angle; Efficient bandwidth control with the advanced H.265 compression.
- **Stainless and Explosion Proof DESIGNED** - (No certificate yet) Made of 304 stainless steel, supports explosion proof and waterproof to ensure long-lasting operation in tough conditions.
- **EASY REMOTE ACCESS** - Comes with intuitive WEB GUI, compatible to Chrome/Safari/IE/Edge and no plug-in or ActiveX is required; Free mobile App with Cloud access; Also provide PC based VMS software to centralized manage tens of cameras from different sites. Offer API for 3rd party access.
- **Support POE/12V DC** - It supports both POE (IEEE802.3 af) and 12V DC power supply. You can use one single Ethernet cable for both power and ethernet, no need to install a separate power cable, simplifies installation and lowers cabling costs.
- **MAX 100ft IR DISTANCE** - Equipped with 2 IR LEDs to enable max 100ft (30m) night vision distance.
- **2600ft LONG RANGE VERSION IS AVAILABLE** - Working with POE-EXT3001LP(2 Pack), the transmission distance can be extended to 2600ft (800m). It is widely used in Mining Industry and other places where need long distance application.
- **WORRY FREE** - 1 year warranty on hardware; lifetime software upgrade; US local technical support + Global after-hour support.

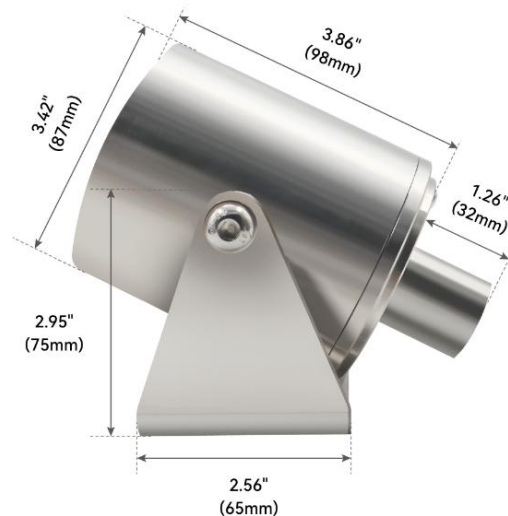
Specification

Camera	
Image Sensor	1/1.8" Progressive Scan CMOS
Min. Illumination	Color: 0.003 Lux @ (F1.6, AGC ON), B/W: 0 Lux with IR
Shutter Speed	1/3 s to 1/100,000 s
Slow Shutter	Yes
P/N	P/N
Wide Dynamic Range	120 dB
Day & Night	IR cut filter
Angle Adjustment	Pan: 0 to 360°, tilt: 0 to 90°, rotation: 0 to 360°
Lens	
Lens Type	Fixed focal lens, 2.8
Iris Type	Fixed
Focal Length & FOV	2.8 mm, horizontal FOV 102°, vertical FOV 55°, diagonal FOV 120°
Aperture	F1.6
Lens Mount	M12
DORI	
DORI	2.8 mm: D: 89.2 m, O: 35.4 m, R: 17.8 m, I: 8.9 m
Illuminator	
Supplement Light Type	IR
IR Range	Up to 40 m
IR Wavelength	850 nm
Smart Supplement Light	Yes
Video	
Max. Resolution	3840 × 2160
Main Stream	50 Hz: 25 fps (3840 × 2160, 3200 × 1800, 2688 × 1520, 1920 × 1080, 1280 × 720)
	60 Hz: 24 fps (3840 × 2160)
Sub-Stream	30 fps (3200 × 1800, 2688 × 1520, 1920 × 1080, 1280 × 720)
	50 Hz: 25 fps (640 × 480, 640 × 360)
Third Stream	60 Hz: 30 fps (640 × 480, 640 × 360)
	50 Hz: 10 fps (1920 × 1080, 1280 × 720, 640 × 480, 640 × 360)
Video Compression	60 Hz: 10 fps (1920 × 1080, 1280 × 720, 640 × 480, 640 × 360)
	*Third stream is supported under certain settings.
Video Bit Rate	Main stream: H.265/H.264/H.264+/H.265+
	Sub-stream: H.265/H.264/MJPEG
H.264 Type	Third stream: H.265/H.264
	*Third stream is supported under certain settings.
H.265 Type	32 Kbps to 16 Mbps
H.264+	Baseline Profile/Main Profile/High Profile
H.265+	Main Profile
Bit Rate Control	Main stream supports
Scalable Video Coding (SVC)	Main stream supports
Region of Interest (ROI)	CBR/VBR
Network	
Simultaneous Live View	H.264 and H.265 encoding
API	1 fixed region for main stream and sub-stream
Protocols	Up to 6 channels
User/Host	Open Network Video Interface (PROFILE S, PROFILE G, PROFILE T), ISAPI, SDK
Security	TCP/IP, ICMP, HTTP, HTTPS, FTP, DHCP, DNS, DDNS, RTP, RTMP, RTSP, NTP, UPnP, SMTP, IGMP, 802.1X, QoS, IPv4, IPv6, UDP, Bonjour, SSL/TLS, PPPoE, SNMP, ARP, WebSocket, WebSockets
Network Storage	Up to 32 users. 3 user levels: administrator, operator and user
Client	Password protection, complicated password, HTTPS encryption, IP address filter, Security Audit Log, basic and digest authentication for HTTP/HTTPS, TLS 1.1/1.2, WSSE and digest authentication for Open Network Video Interface
Web Browser	MicroSD/SDHC/SDXC card (256 GB) local storage, and NAS (NFS, SMB/CIFS), auto network replenishment (ANR)
	Together with high-end Hikvision memory card, memory card encryption and health detection are supported.
	iVMS-4200, Hik-Connect, Hik-Central
	Plug-in required live view: IE 10+
	Plug-in free live view: Chrome 57.0+, Firefox 52.0+
	Local service: Chrome 57.0+, Firefox 52.0+

Specification

Image	
Day/Night Switch	Day, Night, Auto, Schedule
Target Cropping	Yes
Image Enhancement	BLC, HLC, 3D DNR
Image Parameters Switch	Yes
Image Settings	Rotate mode, saturation, brightness, contrast, sharpness, gain, white balance adjustable by client software or web browser
SNR	≥ 52 dB
Interface	
On-Board Storage	Built-in micro SD, up to 256 GB
Hardware Reset	Yes
Ethernet Interface	1 RJ45 10 M/100 M self-adaptive Ethernet port
Event	
Basic Event	Motion detection (human and vehicle targets classification), video tampering alarm, exception
Smart Event	Scene change detection
Deep Learning Function	
Face Capture	Yes
Perimeter Protection	Line crossing detection, intrusion detection, region entrance detection, region exiting detection Supports human and vehicle targets classification
General	
Web Client Language	33 languages English, Russian, Estonian, Bulgarian, Hungarian, Greek, German, Italian, Czech, Slovak, French, Polish, Dutch, Portuguese, Spanish, Romanian, Danish, Swedish, Norwegian, Finnish, Croatian, Slovenian, Serbian, Turkish, Korean, Traditional Chinese, Thai, Vietnamese, Japanese, Latvian, Lithuanian, Portuguese (Brazil), Ukrainian
General Function	Anti-flicker, heartbeat, mirror, privacy mask, flash log, password reset via email, pixel counter
Software Reset	Yes
Linkage Method	Upload to FTP/NAS/memory card, notify surveillance center, send email, trigger recording, trigger capture
Storage Conditions	-30 °C to 60 °C (-22 °F to 140 °F). Humidity 95% or less (non-condensing)
Startup and Operating Conditions	-30 °C to 60 °C (-22 °F to 140 °F). Humidity 95% or less (non-condensing)
Power Supply	12 VDC ± 25% PoE: 802.3af, Class 3
Power Consumption and Current	12 VDC, 0.5 A, max. 6 W PoE (802.3af, 36V to 57V), 0.2 A to 0.13 A, max. 7.2 W
Power Interface	Ø 5.5 mm coaxial power plug
Camera Material	Metal
Package Dimension	32cm × 22cm × 2cm (12.6inch × 8.66inch × 0.79inch)
Camera Weight	Approx. 2.8kg (6.17lbs)

Dimension



Weight: 3.86 lbs (1.75kg)