

## IPC LPR NDAA

NDAA 2MP ANPR Camera with built-in License Plate Recognition Software, 10x Motorized Lens



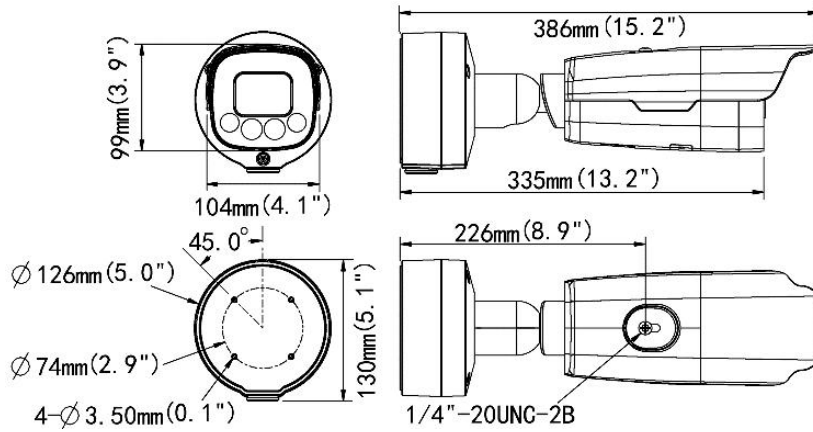
### Outstanding Features

- Starlight optical sensor and integrated IR illuminator produce clear images in night environments and reduce light pollution. Ultra 265, H.265, H.264, MJPEG
- 2MP industrial-grade sensor delivers 1920 x 1080 images.
- 4 LED IR illumination beads provide up to 50m illumination.
- Up to 1080P@60fps image collection format.
- Advanced H.265 encoding technology improves compression efficiency.
- Built-in vehicle&license plate recognition algorithm can recognize standard license plates of multiple countries.
- Supports Micro SD cards of up to 128GB.
- Supports DC 12V, and PoE (802.3at) power supplies.
- IP67, IK10.

## Specification

Camera	Description
Sensor	1/2.8" 2MP CMOS
Focal length	4.7 to 47mm, motorized zoom
Shutter	Auto/Manual, range: 1/25 to 1/100000 s
Minimum illumination	0.001lux (F1.6)
Image	Description
Image collection format	1080P@25 (default), 1080P@30, 1080P@50, 1080P@60
Resolution	Main stream: 1080P (default), 720P, D1Sub stream: 720P (default), D1, 2CIF, CIFThird stream: D1 (default), 2CIF, CIF
Frame rate	60, 50, 30, 25 (default), 22, 20, 18, 16, 15, 12.5, 10, 8, 6, 5, 4, 3, 2, 1
Video compression	H.264 (default), H.265
ROI	Supports up to 8 regions
Video OSD	Supports 8 overlay areas and allows contents including date, time, date&time, zoom ratio, custom contents
Image OSD	Supports 8 overlay areas and allows contents including time, license plate number, device ID, camera ID, allowlist, image authentication ID, custom contents (3 items), location
Smart	Description
Application scenario	Vehicle speed ≤30km/hSupports simultaneous application to entry/exit scenes
Vehicle detection mode	Video (default) or inductive loop
Capture vehicle head only	Support
License plate number recognition	Supports recognition of license plates with numbers and letters by default
List configuration	Supports allowlist and blocklist configuration, each list allows 20,000 itemsSupports import, export, add, and delete operations
Barrier opening policy	Open barrier only for the recognized vehiclesOpen barrier for all vehiclesOpen barrier only for vehicles on the allowlistOpen barrier for vehicles not on the blocklistConfigurable Boolean output ID
Storage	Description
Edge storage	Supports ANR with a Micro SD card, up to 128GB
Structure	Description
Illumination	Built-in integrated illumination module, including 4 IR LEDs, 50m illumination distance, automatic on/off control
Sunshield	Long sunshield
Bracket	3-axis mounting bracket
Junction box	The camera comes with a junction box for storing tail cable
Interface	Description
Network interface	1 × 10M/100M RJ45
Serial port	1 × RS485
Boolean output	1 relay output, withstand voltage: AC 125V/0.3A, DC 30V/1A
Boolean input	2 inputs, supports level/Boolean, with max level up to DC 5V
Audio interface	1 × audio input, 1 × audio output
Storage interface	1 × Micro SD card slot
General	Description
Power supply	DC12V + 25% - 10% Max. power consumption: 20W Supports PoE (802.3at, class 4)
Dimensions (L×W×H)	386mm x 126mm x 130mm
Weight	2kg
Operating environment	-40°Cto 60°C, ≤90% RH
Ingress protection	IP67, IK10

## Dimension



## Accessories

Pole mount	TR-UP06-C-IN		Pole Mount Adapter
------------	--------------	---	--------------------