

## Intercom-Door01

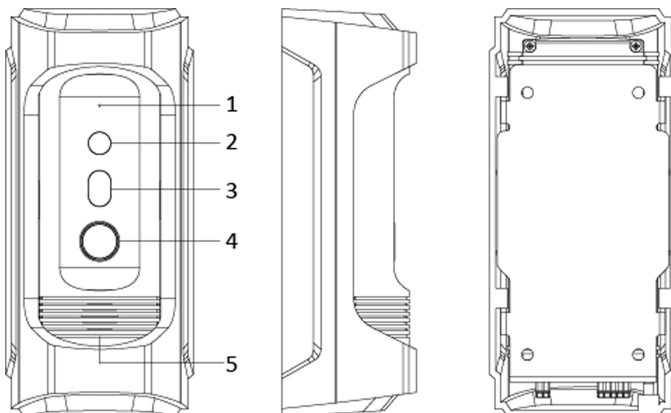
Vandal proof PoE doorbell camera , 2 Megapixel wide view, two-way talk with mobile App



### Outstanding Features

- Call the mobile APP directly
- Remote unlocking via the indoor station or the mobile APP
- 2MP HD Camera with IR supplement
- Standard PoE
- Noise suppression and echo cancellation
- Configuration remotely via Web

### Interface



No.	Description
1	Microphone
2	Built-in Camera
3	Low Illumination Supplement Light
4	Call Button
5	Loudspeaker

## Specification

Video parameters	
Video compression standard	H.264
Audio parameters	
Audio input	Built-in omnidirectional microphone
Audio output	Built-in loudspeaker
Audio compression bitrate	64 Kbps
Audio quality	Noise suppression and echo cancellation
Network parameters	
Ethernet	PoE, 10/100 Mbps self-adapted
Network protocol	TCP/IP, RSTP
Device interfaces	
Alarm input	1
Debugging port	1
General	
Power supply	IEEE802.3af, standard POE DC12V
Power consumption	< 10 W
Working temperature	-30° C to +50° C(-22° F to 122° F)
Working humidity	10% to 90%
Impact protection	IK 09
Ingress protection level	IP 65
Dimensions (L x W x H)	161.85 mm x 74.13 mm x 53.2 mm(6.37" x 2.92" x 2.09")
Installation	Surface mounting
Language	English, French, Portuguese (Brazil), Spanish, Russian, German, Italian, polish, Arabic, Turkish, Vietnamese, Hungarian, Dutch, Romanian, Czech, Bulgarian, Ukrainian, Croatian, Serbian

## Dimension

