

# PoE++ to USB-C Docking Station User Manual

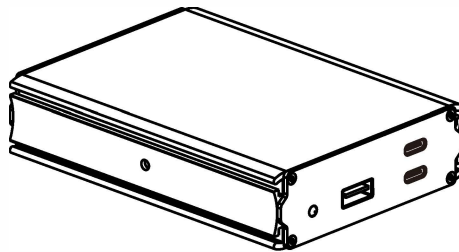
## Packing list

After unpacking, please check if the accessories in the package are complete according to the packing list. If anything is missing, please contact your supplier as soon as possible.

Accessories	Quantity
Docking Station	1 unit
Mounting Accessory	1 unit
User Manual	1 unit
USB-C to C Cable	1 unit

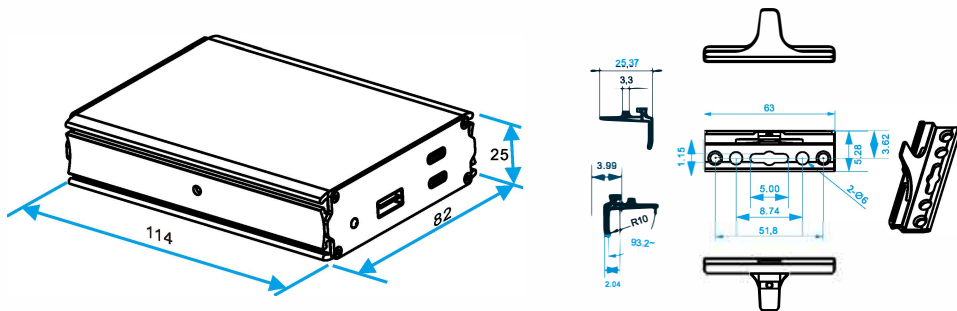
## Product Introduction

Docking Station is a PoE++ to USB-C Docking Station. It is different from the existing docking stations on the market and can provide you with functions beyond expectations. It is a docking station adopting PoE++ technology. It adopts safe low-voltage input, provides Gigabit network and quick charging through USB-C, compatible with USB-A quick charging, and expands RJ45 Gigabit network. It can provide your laptops and mobile devices with a safe quick-charge and Gigabit network at the same time.



## Appearance and Dimension

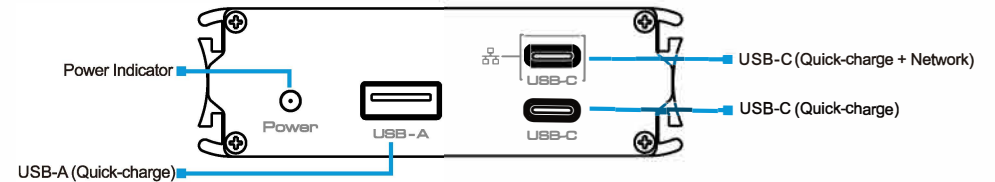
Size:(mm)



## Front Panel



## Rear Panel



## Features and Highlights

### Four-in-one for Quick-charge & Gigabit Network

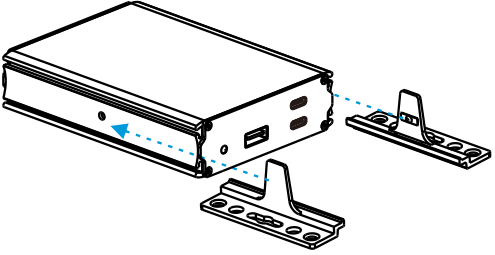
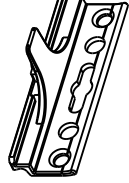

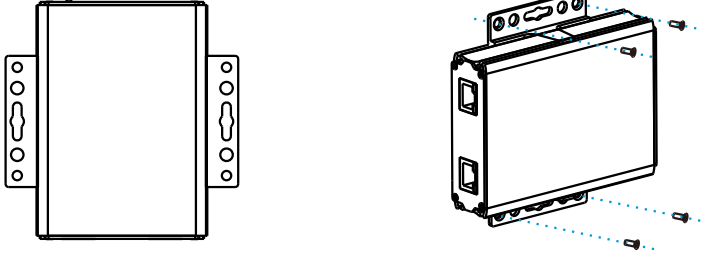
- 1\*USB-C: quick-charge up to 60W and Gigabit network at the same time
- 1\*USB-C: quick-charge up to 20W
- 1\*USB-A: quick-charge up to 20W
- 1\*RJ45: Gigabit network, transmission with lossless rate

### High Efficiency & Great Compatibility

- Quick-charge
  - Supports 2\*quick-charge USB-C ports, compatible with PD3.0, QC4.0, QC3.0/2.0
  - Supports 1\*quick-charge USB-A port, compatible with QC3.0/2.0
  - Supports charging laptops and mobile devices
  - Total charging power budget: 65W
- Safe using with PoE++ power input
  - Compatible with IEEE 802.3bt

## Installation Steps

- Before installation, please disconnect the power supply of each signal source and equipment. Live installation may damage the transmission equipment.
- The docking station supports desktop and hanging on the back of the desktop.  
The hanging on the back of the desktop steps are shown in the following table:

Step 1: Fix the 2 hangers to the Docking Station.	Accessories
	<p>2 * </p> <p>4 * </p>
Step 2: Drill 4 holes on the wall and fix the Docking Station with screws. Please refer to diagram as below.	
	

## Caution

- To maximize charging efficiency, the USB-C (Quick charging + Network) port is recommended. Please find the following solution when the device doesn't work. Please confirm if the installation is correct:
- Please confirm if the RJ45 cable order in accordance with the EIA/TIA568A or 568B industry standards.
  - Please do not connect the network device which consumption exceeds the maximum output consumption of the port.
  - Please replace a normal device with a failure one to check if the device is broken.
  - If the PC cannot connect to the Internet by Docking Station, please scan the QR code below to download the driver and install the driver to PC.
  - Some old mobile phone models, such as Apple mobile phones or Android mobile phones, cannot access the Internet, because the mobile phone system does not have the corresponding network card driver.
  - If the problem still exists, please contact the factory.



Driver for Windows & Linux & MacOS

## Specifications

Items			
Docking Station			
Hardware Specifications			
Fixed Port	1*10/100/1000Mbps PoE++ RJ-45 port (Cat5e or better cable) 1*10/100/1000Mbps RJ-45 Port (Cat5e or better cable) 1*USB-C (Quick-charge + 10/100/1000Mbps network) 1*USB-C (Quick-charge) 1*USB-A (Quick-charge)		
Led Indicator	1*Power Indicator (Green)		
Dimensions (mm)	114mm*82mm*25mm		
Net Weight	245g		
Installation	Desktop/Hanging on the back of the desktop		
Material	Metal shell		
Protocol			
Protocol Supported	USB-C (Quick-charge + Network)	USB-C (Quick-charge)	USB-A (Quick-charge)
	PD3.0	PD3.0, PPS, QC4.0, QC3.0/2.0 Apple 2.4A, Samsung AFC, Huawei FCP/SCP, DCP1.5A, VOOC	QC3.0/2.0, Apple 2.4A, Samsung AFC, Huawei FCP/SCP, DCP1.5A,VOOC
Power Budget			
Single Port	USB-C (Quick-charge + Network) 60W(Max)	USB-C (Quick-charge) 20W(Max)	USB-A (Quick-charge) 20W(Max)
	5V/2A, 9V/3A, 12V/3A, 15V/3A, 20V/3A	5V/3A, 9V/2.22A, 12V/1.67A, PPS: 3.3V~11V/1.8A	5V/3A, 9V/2A, 12V/1.67A
Double Ports	USB-C (Quick-charge + Network) + USB-C (Quick-charge)	USB-C (Quick-charge + Network) + USB-A (Quick-charge)	USB-C (Quick-charge) + USB-A (Quick-charge)
	65W in Total (Max) • USB-C (Quick-charge + Network) : 45W(Max) 5V/2A, 9V/3A, 12V/3A, 15V/3A, 20V/2.25A • USB-C (Quick-charge) : 20W(Max) 5V/3A, 9V/2.22A, 12V/1.67A, PPS: 3.3V~11V/1.8A	65W in Total (Max) • USB-C (Quick-charge + Network) : 45W(Max) 5V/2A, 9V/3A, 12V/3A, 15V/3A, 20V/2.25A • USB-A (Quick-charge) : 20W(Max) 5V/3A, 9V/2A, 12V/1.67A	15W in Total (Max) 5V/3A
Triple Ports	USB-C (Quick-charge + Network) + USB-C (Quick-charge) + USB-A (Quick-charge): 60W in Total (max) • USB-C (Quick-charge + Network) : 45W(Max) • USB-C (Quick-charge) + USB-A (Quick-charge): 15W(Max)		
PoE			
PoE Standard	IEEE 802.3bt Power over Ethernet		
PoE Pin Assignment	3/6/4/5 (+), 1/2/7/8(-)		
Input Voltage	41.1~57V DC		
Single Port	≥71.3W		
Environments			
Operating	Temperature: -5°C~45°C Relative Humidity: 5%~95% (Non-condensation)		
Storage	Temperature: -40°C~75°C Relative Humidity: 5%~95% (Non-condensation)		
Certifications			
Certifications	CE, FCC		

Version: V1.0, updated 2022.06.09.

The information in this document is subject to change without notice. Every effort has been made in the preparation of this document to ensure accuracy of the contents, but all statements, information, and recommendations in this document do not constitute a warranty of any kind, express or implied.