

POE-EXT04

4 Port Gigabit POE Extender with 60W POE Input, 1 in 4 Out POE Repeater



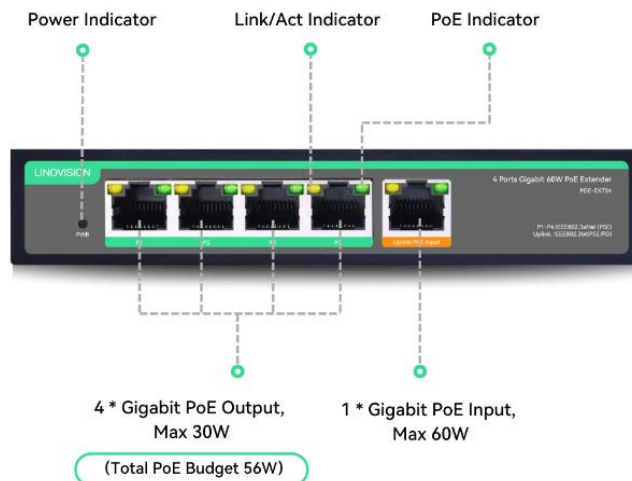
Outstanding Features

- **PoE PASSTHROUGH SWITCH** - Powered by POE Switch or PoE Injector, passes PoE power to other PoE devices, such as VoIP phones and cameras. Also known as PoE Powered Switch. No AC power supply required.
- **4CH BT60W PoE EXTENDER** - 1 x IEEE 802.3af/at/bt POE Input, max 60W; 4 x IEEE 802.3at/af PoE output. Total 56W PoE budget. PoE Input: Mode A/ Mode B; PoE Output: Mode A.
- **EXTEND PoE and DATA 330FT** - Extends PoE and Gigabit Ethernet an additional 330ft.
- **STANDARD PoE** - Unlike some software emulated PoE, this PoE Extender adopts hardware IEEE802.3af/at/bt PoE chipset and compatible to Mode A PD device. It follows PD Detection -> Classification Type -> Power On procedures to prevent standard PD device from damaging.
- **SURGE PROTECTION** - 6KV surge protection, keep the PoE Extender from lightning strikes and other electrical surges, offering reliable performance even in some harsh environments.
- **EASY to USE** - Plug-n-Play Design. Equivalent to a small 4 ports POE Switch and powered by POE, much easier for cabling.

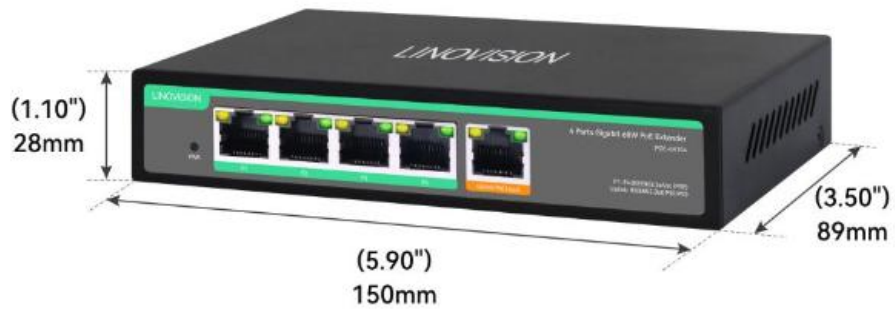
Specification

Hardware Specifications	
Interface	PoE in Port: 1 x 10/100/1000BASE-T Ethernet POE PD In PoE out Port: 4x 10/100/1000BASE-T Ethernet POE PSE Out
LED Indicator	Link/ACT
Switch Architecture	Store-and-Forward switch architecture
MAC Address Table	4K MAC address table with auto learning function
Network Cable	UTP cat5 or above
Backplane bandwidth	16Gbps
Packet forwarding rate	11.46Mpps
Flow Control	IEEE 802.3x pause frame for full duplex Back pressure for half duplex
ESD Protection	Air 8KV DC Contact 6KV DC
Dimensions (W x D x H)	150x89x 28mm (5.9in x 3.5in x 1.1in)
Weight	0.46kg
Power over Ethernet (PoE) Specifications	
PoE Standard	PoE in Port: IEEE 802.3af/at/bt PoE PD Per PoE out Port: IEEE 802.3af/at PoE PSE
PoE Power	PoE in Port: 48~56V DC, max. 60 watts Per PoE out Port: 48~56V DC, max. 28 watts
POE Budget	56W
Power Pin Assignment	PoE in Port: 1/2/4/5(-), 3/6/7/8(+), Per PoE out Port: 1/2(-), 3/6(+),
Standards Conformance	
Standards Compliance	IEEE 802.3 Ethernet IEEE 802.3u Fast Ethernet IEEE 802.3ab/z Gigabit Ethernet IEEE 802.3x Flow Control IEEE 802.3af Power over Ethernet IEEE 802.3at Power over Ethernet Plus IEEE 802.3bt Power over Ethernet Plus
Stability Testing	IEC 60068-2-32 (Free fall) IEC 60068-2-27 (Shock) IEC 60068-2-6 (Vibration)
Temperature	Operating: -20~55 degrees C Storage: -40~75 degrees C
Humidity	Operating: 5~90%, (non-condensing) Storage: 5~90% (non-condensing)
Regulatory Compliance	FCC Class A, CE Class A

Interface



Dimensions



Weight: 0.46kg (1.01 lb)