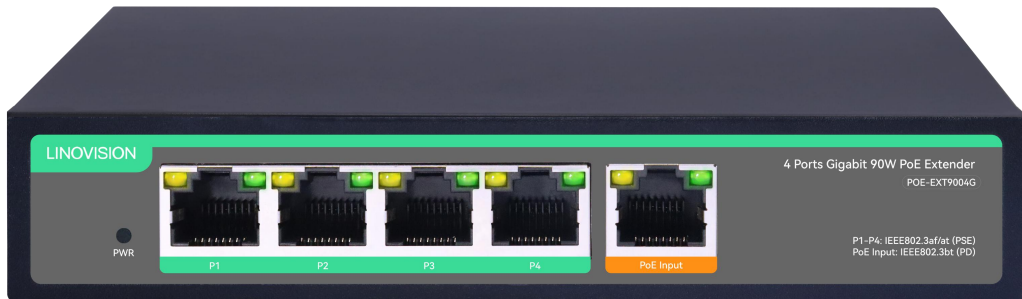


POE-EXT9004G

4 Port Gigabit POE Extender with 90W POE Input, 1 in 4 Out POE Repeater



Outstanding Features

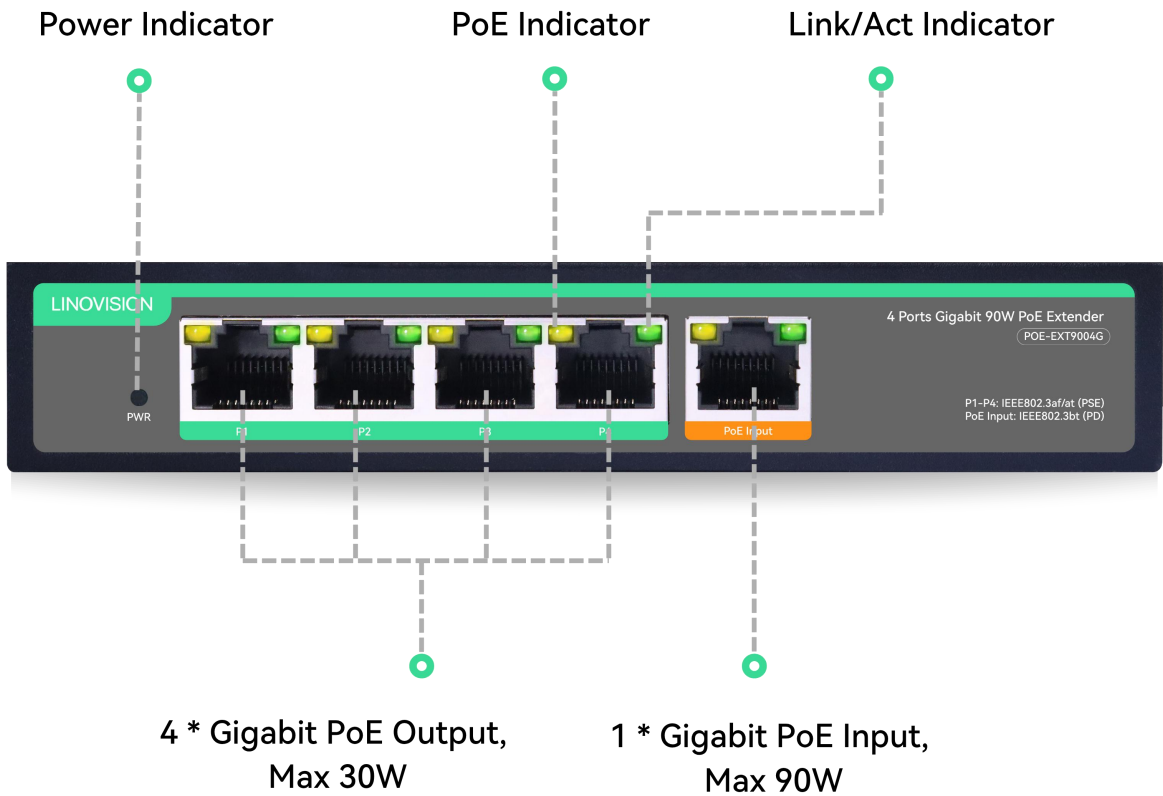
- **PoE PASSTHROUGH SWITCH:** Powered by POE Switch or PoE Injector, passes PoE power to other PoE devices, such as VoIP phones and cameras. Also known as PoE Powered Switch. No AC power supply required.
- **4CH BT90W PoE EXTENDER:** 1 x IEEE 802.3af/at/bt POE Input, Max 90W; 4 x IEEE 802.3at/af PoE output. Total 80W PoE budget. PoE Input: Mode A/ Mode B; PoE Output: Mode A.
- **EXTEND PoE and DATA 330FT:** Extends PoE and Gigabit Ethernet an additional 330ft.
- **STANDARD PoE:** Unlike some software emulated PoE, this PoE Extender adopts hardware IEEE802.3af/at/bt PoE chipset and compatible with Mode A PD device. It follows PD Detection -> Classification Type -> Power On procedures to prevent standard PD device from damaging.
- **SURGE PROTECTION:** 6KV surge protection, keep the PoE Extender from lightning strikes and other electrical surges, offering reliable performance even in some harsh environments.
- **EASY to USE:** Plug-n-Play Design. Equivalent to a small 4 ports POE Switch and powered by POE, much easier for cabling.

Important Notice: Only Mode A POE output is supported.

Specifications

Mechanical Specs	
Dimensions (W*H*D)	150 x 89 x 28 mm (5.90 x 3.50 x 1.10 in)
Weight	0.46 kg (1.01 lb)
Material	Aluminum
Interfaces	
PoE in Port	Ethernet Port: 1 * 10/100/1000BASE-T RJ45 PoE Standard: IEEE 802.3af/at/bt Power Pin Assignment: 1/2/4/5(-) , 3/6/7/8(+) PoE Power: Max. 90 W
PoE out Port	Ethernet Port: 4 * 10/100/1000BASE-T RJ45 PoE Standard: IEEE 802.3af/at Power Pin Assignment: 1/2(-), 3/6(+) PoE Power: Max. 30 W
LED Indicator	Power(Green), PoE(Yellow), Link/Act(Green)
Standard	IEEE 802.3i, IEEE 802.3u, IEEE 802.3ab, IEEE 802.3z, IEEE 802.3x, IEEE 802.3af, IEEE 802.3at, IEEE 802.3bt
Switching Features	
Processing Types	Store-and-Forward
Backplane Bandwidth	16 Gbps
Packet Forwarding Rate	11.46 Mpps
MAC Address Table	4 K
Environment	
Operating Temperature	-20°C to 55°C (-4°F to 131°F)
Storage Temperature	-40°C to 75°C (-40°F to 167°F)
Operating Humidity	10% to 90% non-condensing
Storage Humidity	5% to 95% non-condensing
Surge Protection	Differential mode ±4 KV, Common mode ±6 KV
Electrostatic Standard	Contact ±6KV, Air ±8KV
Stability Testing	IEC 60068-2-32 (Free fall) IEC 60068-2-27 (Shock) IEC 60068-2-6 (Vibration)
Regulatory Compliance	FCC Class A, CE Class A

Interface

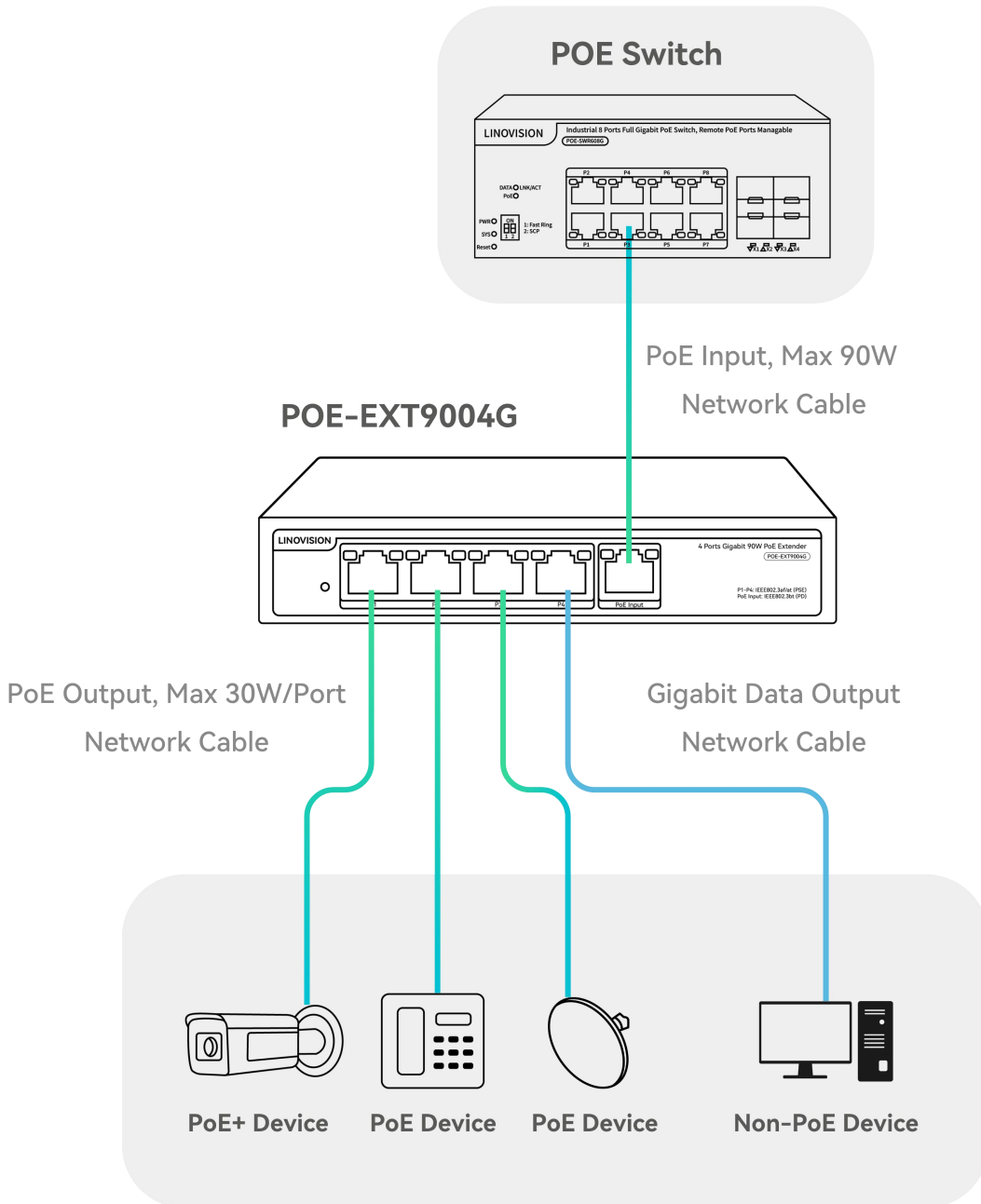


Dimension

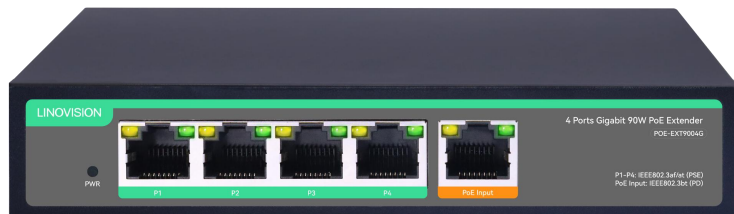


Weight: 0.46kg (1.01 lb)

Connection Diagram



Package Contents



POE-EXT9004G



User Manual

**Disclaimer: Technical specifications may subject to change without prior notice*