

LINOVISION

4 Ports Gigabit POE Extender

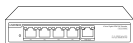
POE-EXT9004G

Quick Guide (V2.0/2026-4-10)



Quick Guide

# Package Contents

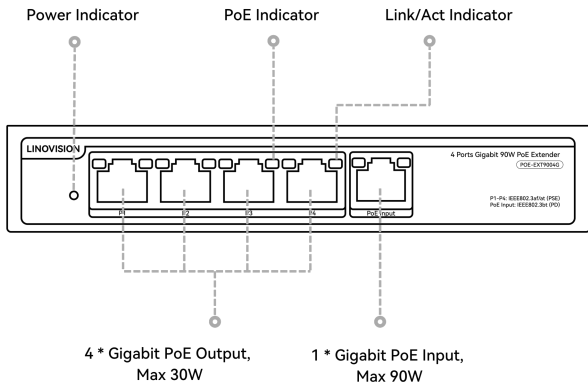


POE-EXT9004G

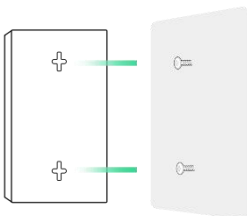


Quick Guide

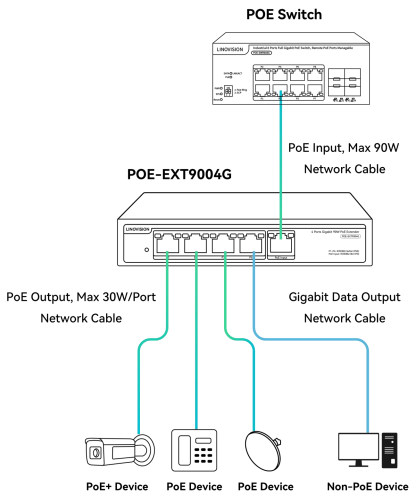
# Interface



# Installation



## Connection Diagram



# LED Indicator

Indicator	Colour	LED Status	Working Status
Power	Green	On	Power normal
		Off	Power abnormal or no power supply
Link/Act	Green	On	Network connected successfully
		Flash	Transmitting data normally
		Off	Network disconnected or connection failed
PoE	Yellow	On	PoE device connected successfully
		Off	PoE device connection failed or disconnected

## Specifications

Mechanical	
Dimensions (W*H*D)	150 x 89 x 28 mm (5.90 x 3.50 x 1.10 in)
Weight	0.46 kg (1.01 lb)
Material	Aluminum
Installation	Wall Mount
Interfaces	
PoE in Port	Ethernet Port: 1 * 10/100/1000BASE-T RJ45 PoE Standard: IEEE 802.3af/at/bt Power Pin Assignment: 1/2/4/5(-), 3/6/7/8(+) PoE Power: Max. 90 W
PoE out Port	Ethernet Port: 4 * 10/100/1000BASE-T RJ45 PoE Standard: IEEE 802.3af/at Power Pin Assignment: 1/2(-), 3/6(+) PoE Power: Max. 30 W
LED Indicator	Power(Green), PoE(Yellow), Link/Act(Green)

## Specifications

Standard	IEEE 802.3i, IEEE 802.3u, IEEE 802.3ab, IEEE 802.3z, IEEE 802.3x, IEEE 802.3af, IEEE 802.3at, IEEE 802.3bt
<b>Switching Features</b>	
Processing Types	Store-and-Forward
Backplane Bandwidth	16 Gbps
Packet Forwarding Rate	11.46 Mpps
MAC Address Table	4K
<b>Environment</b>	
Operating Temperature	-20°C to 55°C (-4°F to 131°F)
Storage Temperature	-40°C to 75°C (-40°F to 167°F)
Operating Humidity	10% to 90% non-condensing
Storage Humidity	5% to 95% non-condensing
Surge Protection	Differential mode ±4 KV, Common mode ±6 KV
Electrostatic Standard	Contact ±6KV, Air ±8KV
Stability Testing	IEC 60068-2-32 (Free fall) IEC 60068-2-27 (Shock) IEC 60068-2-6 (Vibration)
Regulatory Compliance	FCC Class A, CE Class A