

POE-IN9001U

Gigabit 90W 802.3BT PoE Injector, Compatible with standard and Legacy non-Standard PD device



Outstanding Features

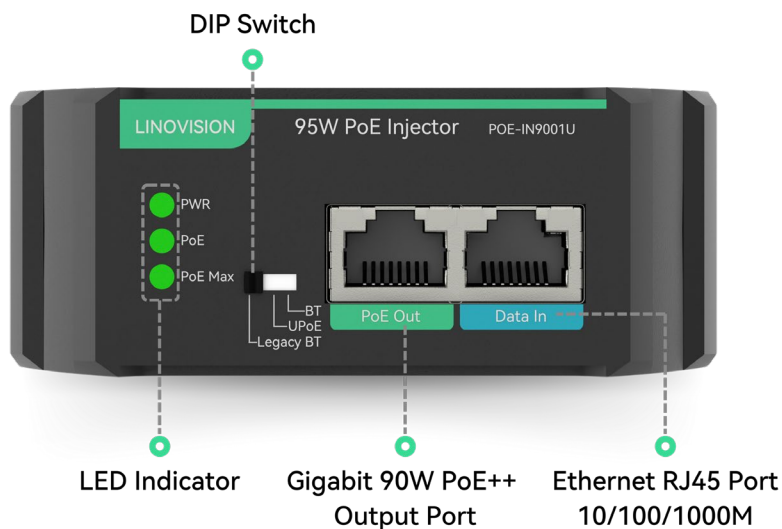
- **Full Gigabit BT 90W PoE Injector:** Convert single ethernet port to IEEE802.3af/at/bt 90W PoE++ port, supply sufficient PoE power for IP camera, PTZ camera, POE speaker, Wireless AP, etc.
- **Rapidly Switch PoE Modes:** Easily switch modes with a DIP switch to deliver reliable power to standard PoE, non-standard(Legacy), and Cisco devices(UPoE), ensuring compatibility for various power needs. It delivers standard IEEE 802.3af/at/bt PoE output, ensuring safer and more efficient in energy use.
- **Application:** Provide safe and reliable power to wireless access points, PTZ IP cameras, and VoIP Phone, etc.
- **Plug and Play:** Simply plug in the Ethernet cables and power cord, no configuration is needed.
- **Industrial Design:** Fanless design ideal for silent operation. Support wall mounted installation. Wide working temperature 32°F to +104°F (0°C to 40°C), 6KV surge immunity, 8 kV ESD protection.

Order SKUs

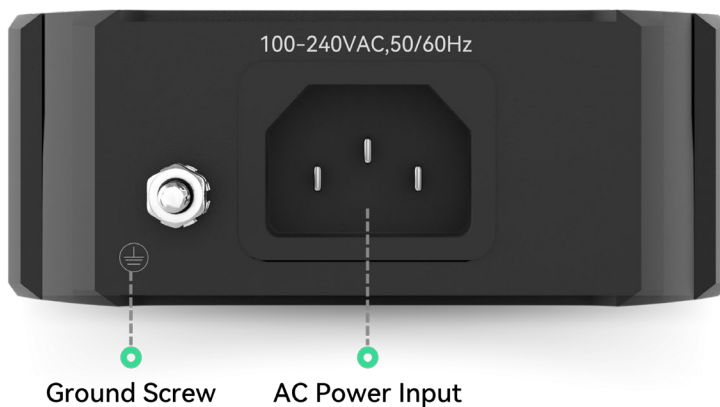
SKU	Details
POE-IN9001U	PoE Power Output: 90W Connection Speed: 1000Mbps
POE-IN9001U-10G	PoE Power Output: 90W Connection Speed: 10Gbps

Interface

Front View

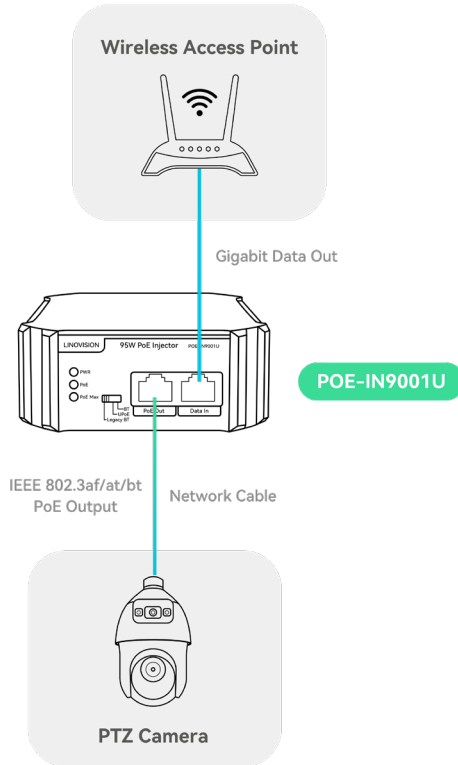


Side View

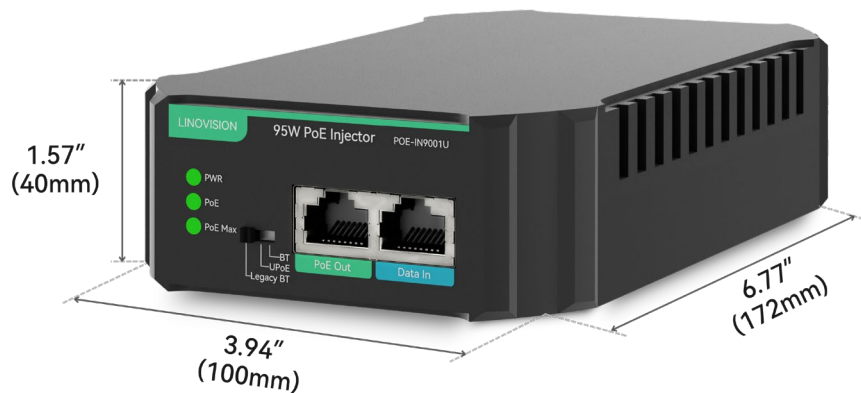


**Disclaimer: Technical specifications may subject to change without prior notice*

Feature Showcase



Dimension



**Disclaimer: Technical specifications may subject to change without prior notice*

Specification

Hardware	
Dimensions (W*H*D)	6.77×3.94×1.57" (172×100×40mm)
Input Power Supply	100 to 240V AC, 50/60Hz
Weight	0.981lb(445g)
Material	Aluminum
Installation	Wall-mounted Installation
Interfaces	
Connector	1* 10/100/1000Mbps PoE++ RJ45 Port, PoE out
	1* 10/100/1000Mbps RJ45 Port, Data in
PoE	
PoE Standard	IEEE 802.3af/at/bt
PoE Power Mode	Mode A (Pin 1, 2, 3, 6); Mode B (Pin 4, 5, 7, 8)
PoE Power Output	Max.90W(PoE Port)
Environment	
Operating Temperature	-32°F to 104°F(0°C to 40°C)
Storage Temperature	-40°F to 158°F(-40°C to 70°C)
Operating Humidity	10% to 90% non-condensing
Storage Humidity	5% to 90% non-condensing
MTBF	>50,000 hrs
ESD Protection	Contact: ±6KV; Air: ±8KV

**Disclaimer: Technical specifications may subject to change without prior notice*

Package Contents



PoE-IN9001U



Power Cord



Screw Hole Stickers



User Manual

**Disclaimer: Technical specifications may subject to change without prior notice*