

## POE-SP01BTV

BT 90W PoE Splitter, DC 3 to 36V Adjustable Output



POE-SP01BTV is an Industrial 802.3bt Gigabit 90W PoE++ Splitter with Adjustable Output Voltage 3 to 36VDC and LED Display. This splitter offers a maximum output current of 10A, supporting various powered devices. It features full/half-duplex modes, MDI/MDI-X auto-detection, and complies with IEEE802.3af/at/bt standards for versatile network integration. Designed for industrial environments, it includes a 6KV surge protector, 8KV contact discharge, and 15KV air discharge, ensuring reliability in harsh conditions.

### Outstanding Features

- **GIGABIT POE++ SPLITTER:** Split 90W IEEE802.3bt PoE++ to Gigabit Data and dual DC power outputs
- **ADJUSTABLE OUTPUT VOLTAGE:** One Adjustable Button to adjust DC 3–36V based on demands
- **INTELLIGENT LED DISPLAY:** LED Display showing output voltage and current. Help to efficiently control how much power is output
- **Gigabit Speed:** Supports 10/100/1000Mbps transmission speed. Max 100 meters transmission
- **RUGGED DESIGN:** IP40-rated metal housing to withstand harsh industrial conditions, operating temperatures of  $-4^{\circ}\text{F}$  to  $167^{\circ}\text{F}$  ( $-20^{\circ}\text{C}$  to  $75^{\circ}\text{C}$ ), ESD protection up to 8 kV
- **EASY INSTALLATION:** Wall mount and DIN rail mount (accessories included)

## Specification

POE-SP01BTV	
Standard	IEEE802.3 10Base-T, IEEE802.3u 100Base-TX, IEEE802.3ab 1000Base-T, IEEE802.3af, IEEE802.3at, IEEE802.3bt
Interface	1* 10/100/1000Base-TX+(Data OUT) 1* 10/100/1000Base-TX(PoE++ IN) 3.81mm/5 Position Terminal Connector(DC OUT)
Indicator	PD(Red), LED Display Voltage(Red), LED Display Current(Blue)
Dimensions (W*H*D)	3.93×2.75×1.18"(100×70×30mm)
PoE Power Input	MAX.90W(Supports IEEE802.3af /at/bt)
Power Consumption	< 3W
DC Output	Adjustable 3 to 36V, MAX 10A
Operating Temperature	-4°F to 167°F(-20°C to 75°C)
Operating Humidity	5% to 95% non-condensing
Public Security Bureau Testing	GB/T15211-2013, GB/T 17626.5-2019, GB/T4208-2017, Enterprise Standards
Ministry of Transport Testing	YD/T1099-2013, JT/T 817-2011, GB/T21671-2008
Installation	DIN-rail Installation; Wall-mounted Installation
Surge Protection	±6KV; Executive Standard: IEC61000-4-5
Electrostatic Standard	Contact ±8KV, Air ±15KV

## Package included



POE-SP01BTV



DIN-Rail Mounting Accessory

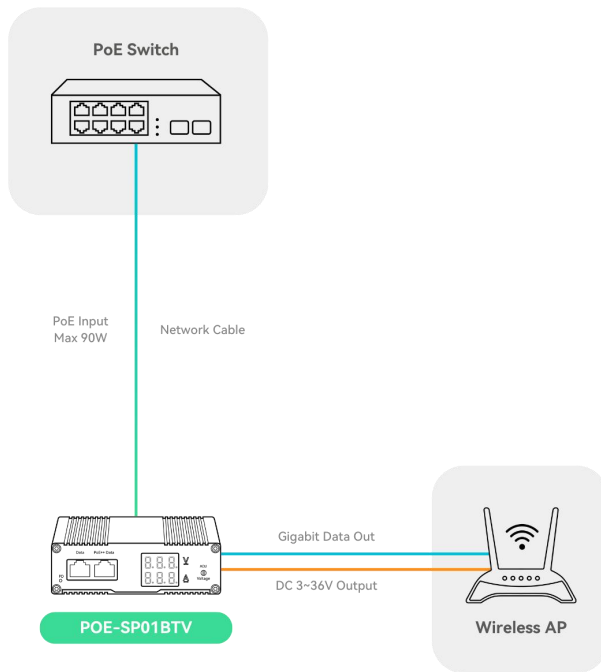


Wall Mounting Accessory

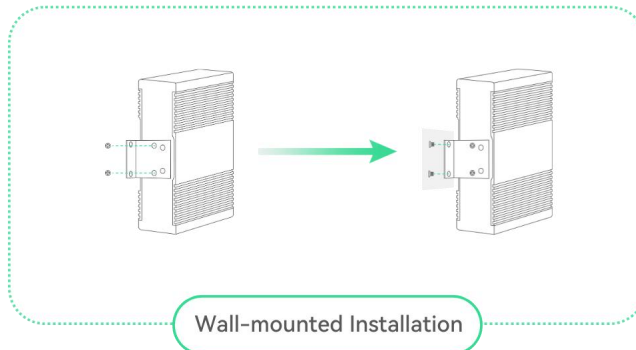
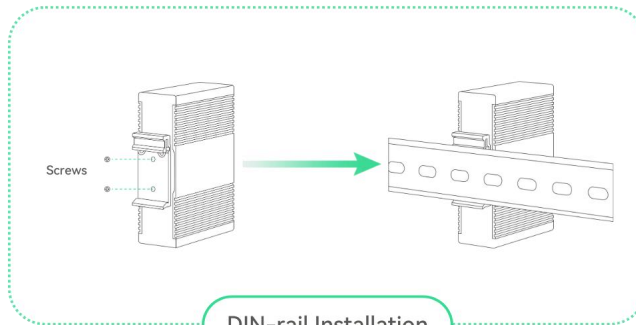


User Manual

## Connection Diagram

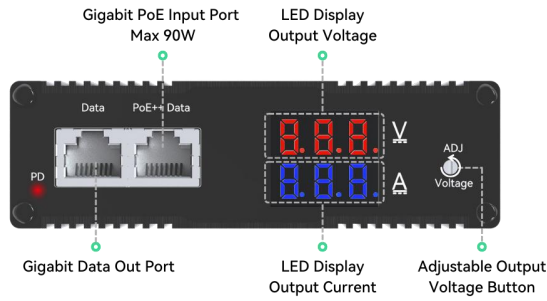


## Installation

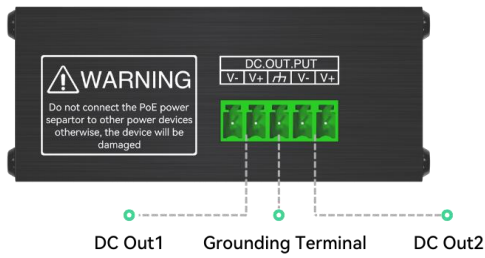


## Interface

### Front View



### Side View



## Dimension



Weight: 250g (0.551 lb)

*\*Disclaimer: Technical specifications may subject to change without prior notice*