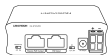


LINOVISION

Industrial Gigabit 30W PoE Splitter  
POE-SP1224POE(12V)  
Quick Guide (V1.0/2026-6-26)

# Package Contents



POE-SP1224POE(12V)

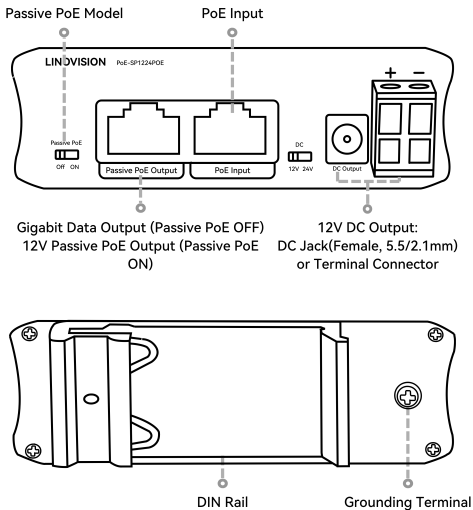


DIN-Rail Mounting  
Accessory

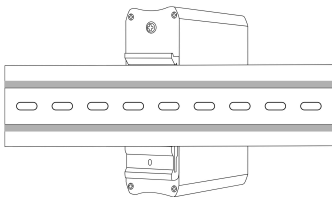
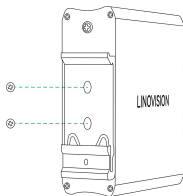


Quick Guide

## Interface

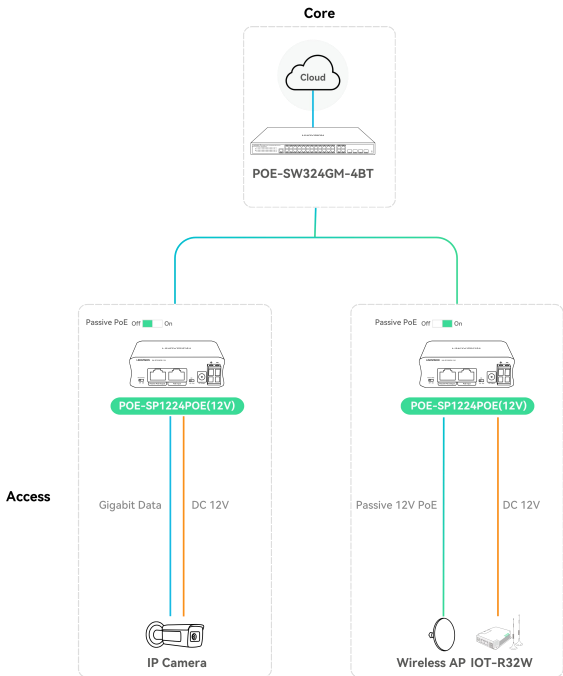


## Installation



DIN-rail Installation

# Connection Diagram



# Specifications

<b>Mechanical Specs</b>	
Dimension (W × D × H)	82.7 × 53 × 25.8 mm (3.26 × 2.09 × 1.02 in)
Weight	117g (0.258 lb)
Material	Aluminum
Installation	DIN-Rail/Wall-Mount
<b>Interfaces</b>	
PoE Input	Ethernet Port: 1 * 10/100/1000Base-T RJ45 PoE Standard: IEEE 803.2af/at Power Supply: Mode A & Mode B
Passive PoE Output	Ethernet Port: 1 * 10/100/1000Base-T RJ45 Power Pin Assignment: 4/5 (+), 7/8 (-)
Passive PoE DIP Switch	Passive PoE or Data only output
DC Output	5.5/2.1 mm Female DC Jack and Terminal Block Connector (Dual-Use)
DC DIP Switch	12 VDC and Passive PoE voltage output
Grounding	Grounding Terminal
<b>Environment</b>	
Operating Temperature	-40°C to 75°C (-40°F to 167°F)
Storage Temperature	-40°C to 85°C (-40°F to 185°F)
Humidity	0% to 95% non-condensing
Surge Protection	1500 V
Electrostatic Standard	HBM ±2000 V, CDM ±750 V