

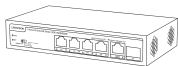
LINOVISION

4 Ports Full 2.5G PoE Switch
POE-SW305G25F
Quick Guide (V1.0/2026-5-19)



Quick Guide

Package Contents



POE-SW305G25F

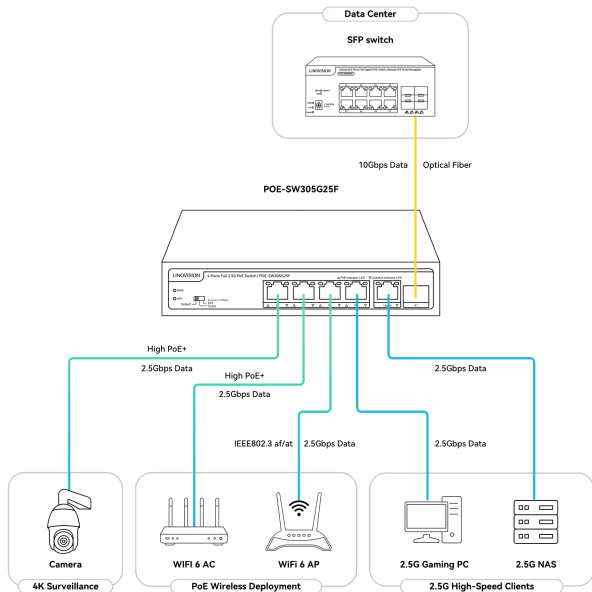


Power Adapter



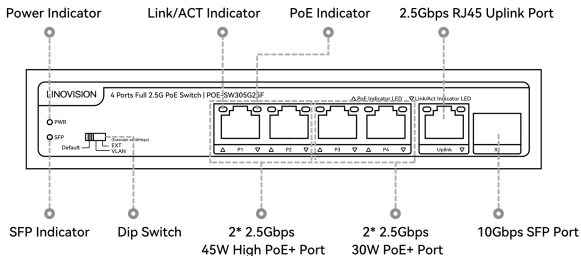
User Manual

Connection Diagram



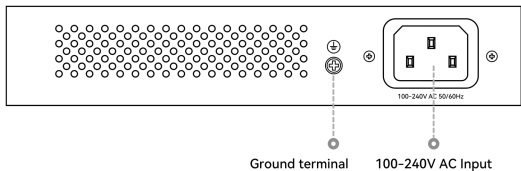
Interface

Front View

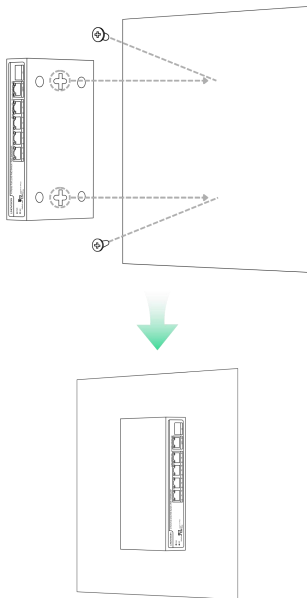


Total PoE Budget 100W

Rear View



Installation



Wall-mounting Installation

Specifications

Model	POE-SW305G25F
Interface	5*10M/100M/1000M/2.5Gbps RJ45 Port 1*1G/2.5G/10Gbps SFP+ slot
Standard	IEEE802.3, IEEE802.3ae, IEEE802.1ab, IEEE802.3x, IEEE802.3u, IEEE802.3ab, IEEE802.3z IEEE802.3af, IEEE802.3at
Network Media(Cable)	10BASE-TX:UTP category 3, 4, 5 cable (≤100m) 100BASE-TX:UTP category 5, 5e cable (≤100m) 1000BASE-X:UTP category 5e, 6 cable (≤100m) 2.5GBASE-X:UTP category 6, 6A cable (≤100m) 10GBASE-X:UTP category 6A, 7 cable (≤100m) 1000BASE-X: MMF, SMF modules 10GBASE-X: MMF, SMF modules 10GBASE-SR: OM1/OM2/OM3 or above MMF (2m~300m) 10GBASE-LR: IEC's B1.1 and B1.3 SMF (2m~10000m)
LED Indicator	PWR(Green), LNK/ACT(Green), PoE(Orange)
MAC Address Table	4K, Auto-learning, Auto-update
Jumbo Frame	12KBytes
Packet Buffer	8Mbit
Transfer Mode	Storage-and-Forward
Switching Capacity	45Gbps
Packet Forward Speed	33.48Mpps
Dimensions (L*W*H)	168*94*32mm (6.61*3.70*1.26 in)
Total Power Supply	110W
Input Voltage	AC: 100-240V,50/60Hz
PoE Total Power	100W
PoE Port	Port 1-4
PoE Output Voltage	1-2 Ports 45W (Max)
PoE Power On RJ45	1/2(+), 3/6(-)
Operation Temperature	0°C ~ 50°C (32°F ~ 122°F)
Storage Temperature	-40°C ~ 70°C (-40°F ~ 158°F)
Operation Humidity	10%~90% non-condensing
Storage Humidity	5%~90% non-condensing
Electrostatic Standard	Contact ±6KV, Air ±8KV

Lightning Protection Grade	Differential mode $\pm 2\text{KV}$ common mode $\pm 6\text{KV}$
MTBF	>50000 hours

LED Indicator

LED	Color	Function
PWR	Green	Off: No Power supply. Light: Indicates the Switch has power.
LNK/ACT	Green	Off: The data port has been disconnected. Light: The data port is connected.
PoE	Orange	Off: The port does not supply power to the opposing device. Light: The port is connected with the power supply equipment.