

POE-SW308G-4BT

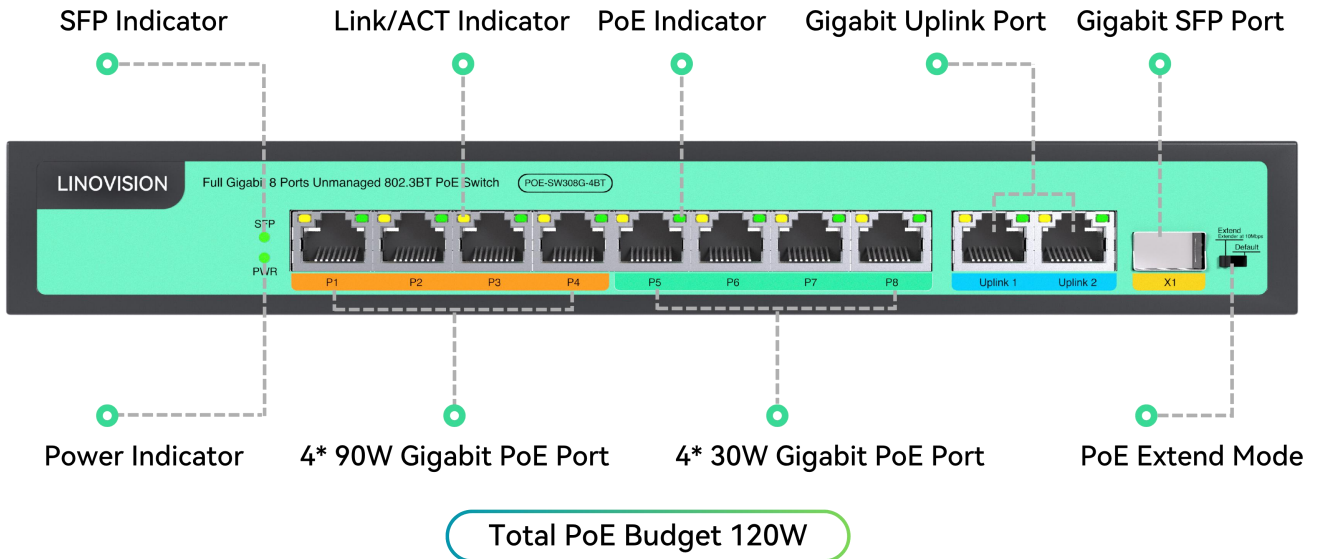
8 Ports Full Gigabit PoE++ Switch, Built-in 120W Power with 4 BT 90W Ports & 4 AT 30W Ports



Outstanding Features

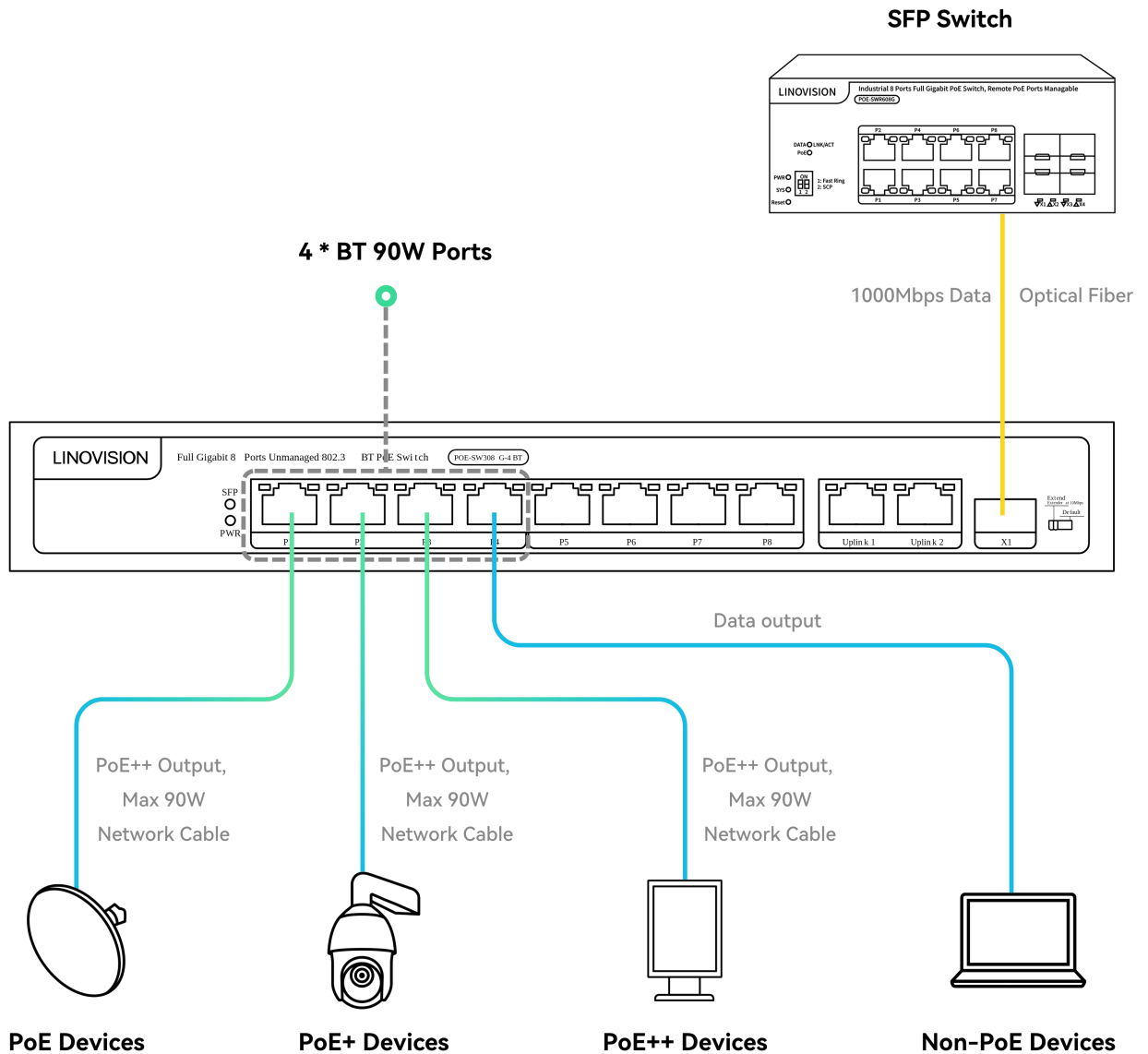
- **4 BT 90W PoE++:** Port 1-4 support BT 90W output, sufficient power for all IEEE 802.3af/at/bt PoE devices in the market, including IP cameras, PTZ cameras, Wireless AP, VoIP phone, PoE light, PoE monitor, etc. (Total PoE budget is 120W)
- **Full Gigabit:** Provides 4* 10/100/1000Mbps PoE++ ports, 4* 10/100/1000Mbps PoE+ ports, 2* 1000Mbps RJ45 and 1* Gigabit SFP Uplink port.
- **Top Safety for all PoE and non-PoE Devices:** With standard PoE design, it follows 4 steps of PoE power up process (PD Detection -> PoE Power Classification negotiation -> Start up -> Power ON), it supplies proper power to 802.af / at / bt devices to prevent over loading, and do not provide power to non-PoE devices to avoid damaging.
- **PoE Extend Mode:** Enable 820ft long distance PoE transmission with the trade off 10Mbps reduced bandwidth, great for IP cameras cabling, as most cameras consumes less than 10Mbps bandwidth.
- **Plug and Play:** No configuration is required. It will automatically work at correct mode when connecting to PoE/PoE+/PoE++ devices.
- **Solid Design:** Full metal enclosure with fanless design, 9.76'' x 6.22'' x 1.75'' (248mm158mm44.5mm), built-in 120W power, ideal for both home and commercial environments.

Interface



**Disclaimer: Technical specifications may subject to change without prior notice*

Connection Diagram



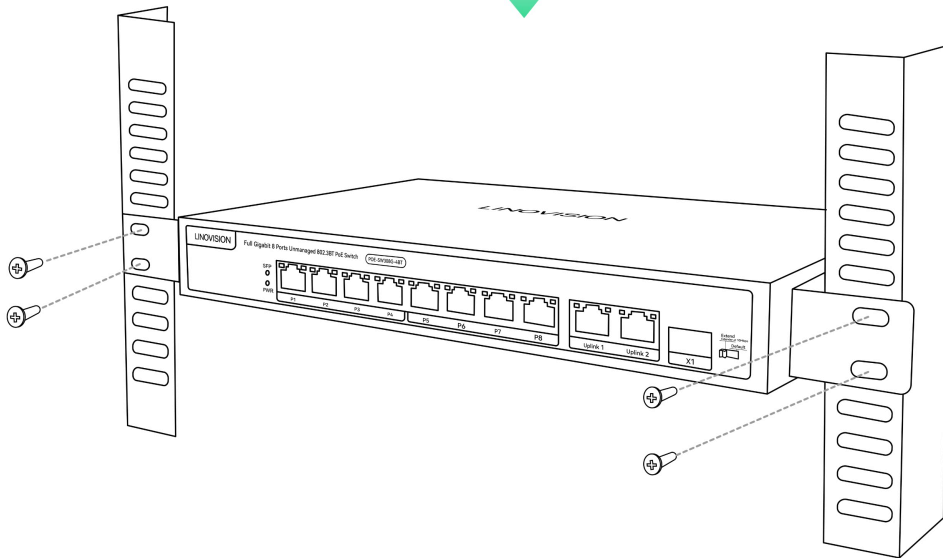
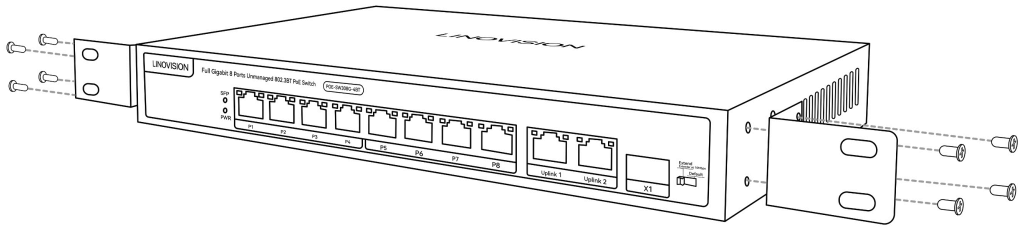
**Disclaimer: Technical specifications may subject to change without prior notice*

Dimension



Weight: 2kg (4.41lb)

Installation



Rack-mount Installation

Package



POE-SW308G-4BT



Power Adapter



Rack Mounting Accessory



User Manual

Specification

Hardware Specifications	
Connector	10*10/100/1000BASE-T RJ45, 1*1000MBASE-X SFP
PoE Port	4*10/100/1000Mbps PoE+ port 4*10/100/1000Mbps PoE++ port
Switch Architecture	Store and Forward
Backplane Bandwidth	24Gbps
Packet Forwarding Rate	17.86Mpps
MAC Address	8k
Power Requirement	AC100-240V 50/60Hz
ESD Protection	6 KV ESD
Dimensions (W × D × H)	250 × 180 × 44.5 mm (9.84 × 7.09 × 1.75 in)
Weight	2 kg (4.41 lb)
Power over Ethernet (PoE) Specifications	
Network standard	IEEE802.3i 10 BASE-T, IEEE802.3u 100 BASE-TX, IEEE802.3ab/z 1000 BASE-TX, IEEE802.3x Flow Control
PoE Standard	IEEE 802.3 af/at/bt
PoE Supply Type	Port 1-4: 4-Pair, 12/45 (+), 36/78 (-); Port 5-8: Mode A, 12 (+), 36 (-);
PoE Power Output	Port 1-4: Max.90w per Port Port 5-8: Max.30w per Port
PoE Power Budget	Total 120W
Environment	
Environment Specification	Operating temperature: -4°F~131°F (-20°C~55°C) Storage temperature: -4°F~131°F(-20°C~75°C) Operating humidity: 5% ~95% Storage humidity:5%~95%
Safety	FCC Part15 Class A , CE, RoHS

**Disclaimer: Technical specifications may subject to change without prior notice*