

LINOVISION

8 Ports Full Gigabit PoE++ Switch
POE-SWR308G-4BT
Quick Guide (V2.0/2026-3-20)



Quick Guide

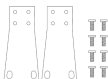
Package Contents



POE-SW308G-4BT



Power Adapter

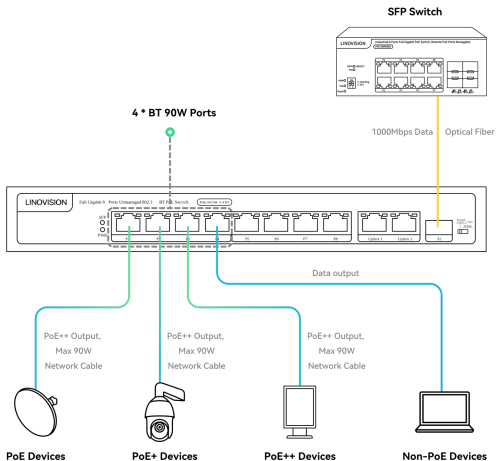


Rack Mounting Accessory



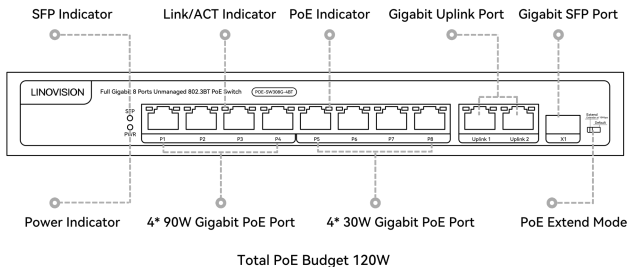
User Manual

Connection Diagram

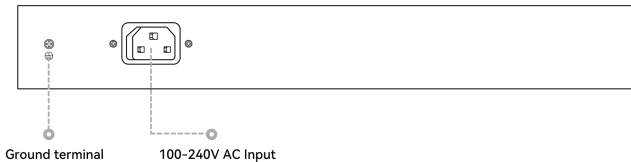


Interface

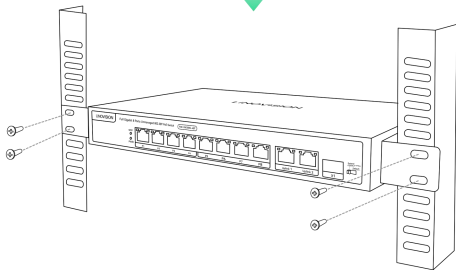
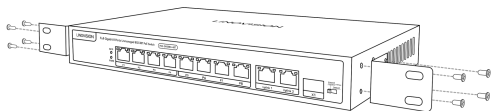
Front View



Back View



Installation



Rack-mount Installation

Specifications

Hardware Specifications	
Connector	10*10/100/1000BASE-T RJ45, 1*1000MBASE-X SFP
PoE Port	4*10/100/1000Mbps PoE+ port 4*10/100/1000Mbps PoE++ port
Switch Architecture	Store and Forward
Backplane Bandwidth	24Gbps
Packet Forwarding Rate	17.86Mpps
MAC Address	8k
Power Requirement	AC100-240V 50/60Hz
ESD Protection	6 KV ESD
Dimensions (W × D × H)	250 × 180 × 44.5 mm (9.84 × 7.09 × 1.75 in)
Weight	2 kg (4.41 lb)
Power over Ethernet (PoE) Specifications	
Network standard	IEEE802.3i 10 BASE-T, IEEE802.3u 100 BASE-TX IEEE802.3ab/z 1000 BASE-TX, IEEE802.3x Flow Control
PoE Standard	IEEE 802.3 af/at/bt
PoE Supply Type	Port 1-4: 4-Pair, 12/45 (+), 36/78 (-); Port 5-8: Mode A, 12 (+), 36 (-);
PoE Power Output	Port 1-4: Max.90w per Port Port 5-8: Max.30w per Port
PoE Power Budget	Total 120W
Environment	
Environment Specification	Operating temperature: -4°F~131°F (-20°C~55°C) Storage temperature: -4°F~131°F(-20°C~75°C) Operating humidity: 5% ~95% Storage humidity:5%~95%
Safety	FCC Part15 Class A , CE, RoHS

LED Indicators

LED Name	Color	Description
PWR	Green	Power indicator. On when power is connected.
Link	Green	Network connection indicator. On when link is established.
PoE	Yellow	PoE working indicator. On when PoE power is supplied.
SFP	Green	SFP port link indicator. On when fiber connection is active.