

POE-SW708GM

8 Ports Full Gigabit Managed POE Switch with 2 Gigabit SFP Uplinks, 4 BT 90W PoE Ports, Total PoE Budget 360W, Support L2 PoE Management



Outstanding Features

- Industrial 8 ports full gigabit PoE switch
- Provide 4 POE++ ports with BT90W PoE output, total PoE budget is 360W
- L2 PoE management with WEB GUI / CLI / SNMP
- Support PoE Control (PoE power monitoring, turn On/Off PoE)
- Support Q-PoE (Quick PoE) technology, which enables PoE power supply immediately upon switch startup without waiting for switch system software control.
- Support P-PoE (Permanent PoE) technology, which enables PoE power supply without interruption when switch is restarting and restores network quickly.

Specification

Hardware Specifications	
Ethernet Ports	4*10/100/1000Base-T PoE++ RJ-45(Auto-MDI/MDI-X) 4*10/100/1000Base-T PoE+ RJ-45(Auto-MDI/MDI-X) 2*1G/2.5GBase-X SFP (The default value is 1G)
Management Ports	1*RJ-45 Console 1*Relay
Serial Port	1*RS-485 RS-485 signal: D+, D- Check bit: None, Even, Odd, Space, Mark Data bit: 5, 6, 7, 8bit Stop bit: 1, 1.5, 2bit Baud rate: 300~115200bps Load capacity: RS-485 port supports 32-point polling environment (128-point could be customized) Direction control: RS-485 adopts automatic data flow control technology
USB Port	USB3.0
Init Button	Short press to restart the device, Long press >5s to initialize the system
LED Indicators	2*PWR, power supply indicators 1*ALM, alarm indicator 2*Link/Act, SFP port state indicators
Cable	Cat5 or better
Dimensions (W*D*H)	163mm*110.5mm*46.5mm
Net Weight	0.79kg
Input Voltage	Power 1 (Main): 48~57V DC, Power 2 (Backup): 48~57V DC
Power Consumption	≤370W (Full load including PoE)
Installation	DIN-rail/Desktop/Wall mounted
Material	Metal shell
Switch Property	
Forwarding Modes	Store and Forward
Switching Capacity	36Gbps / non-blocking
Packet Forwarding Rate	14.88Mpps
MAC Table	16k, support auto learning
Port Buffer	2MB
Jumbo Frame	9kB
Power Supply	
PoE Standard	IEEE 802.3af/at/bt
PoE Power Supply Type	End-span
PoE Pin Assignment	1~4 ports: 3/6/4/5(+), 1/2/7/8(-); 5~8 ports: 1/2(+), 3/6(-)
PoE Budget	1~4 ports: 90W, 5~8 ports: 30W, 360W max for whole switch
Reliability	
ESD	IEC61000-4-2, Level 3: Contact Discharge: ±6kV, Air Discharge: ±8kV
Surge Protection	IEC61000-4-5, Power: 4kV, Data Port: 6kV
Operating	-40°C ~75°C, 5%~95% (Non-condensation)
Storage	-40°C ~85°C, 5%~95% (Non-condensation)
Certifications	
Certifications	CE, FCC

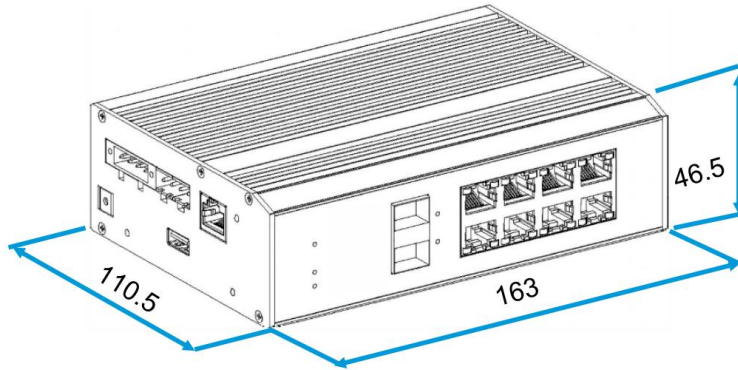
Software Architecture

Item	
System State	
System Status	• Device Name
	• MAC Address
	• Firmware Version
	• Hardware Version
	• System Time
	• Update Time
Traffic Statistics	• Port No
	• Sent Frame Statistics
	• Received Frame Statistics
MAC Address Table	• Sort Type
	• MAC Address
	• VLAN ID
	• Port
	• Address Type
Port Configuration	
Port Setting	• Port State
	• Port Speed
	• Duplex Mode
	• Flow Control
	• Port Range
Rate Limit	• Enable and Disable
	• Port Range
	• Input Speed Limit
	• Output Speed Limit
Storm Control	• Port Range
	• Broadcast Storm
	• Multicast Storm
	• Unknown Unicast Storm
Port Isolation	• Port Range
	• Port Isolation
LLDP Configuration	• Enable and Disable
	• Holdtime
	• Interval Time
	• Admin Status
	• Port Range
LLDP Neighbors	• total entries displayed
	• Device
	• Mac Address
	• IPv4 Address
	• Local-port
	• Holdtime
	• Port-ID
	• Capability
Mac Limit	• Enable and Disable
	• Port Range
	• Mac Limit Num
PoE Setting	• Power setting
	• Power status
	• Port status and control
Ethernet Switch	
Link Aggregation	• Aggregated Load Pattern
	• Trunk Name
	• Aggregation Pattern
	• Port Range
802.1Q VLAN	• Port Range
	• Link Type
	• PVID
	• vlan-allowed
	• vlan-untagged
802.1p QoS	• Enable and Disable
	• QoS Scheduling
	• Priority
DSCP QoS	• Enable and Disable
	• DSCP Mark Range
	• DSCP Priority
WRR Configuration	• bandwidth weights
IP Service	
DHCP Server	• Enable and Disable
	• Client Lease Time
	• DNS Address
	• WINS Server
	• Pool Name
	• Network Interface(VID)
	• Gateway/Subnet
	• Start IP Address
• Max Client Number	
IP Multicast	
IGMP Snooping	• IGMP Interception Setting
	• IGMP Query
	• Static multicast MAC address
	• VLAN ID
	• Port Range
Security Configuration	
802.1X Authentication	• Global Setting
	• Timing Update Authentication
	• Radius Server Setting
	• Server Port Setting
	• Port Setting
	• Port Range
Local Radius Setting	• User login
	• User password
	• Radius user settings
AAA	• Authentication login
Static Address Lock	• Enable and Disable
	• MAC Address
	• VLAN ID
	• Port
MAC Dynamic Aging	• Aging Time

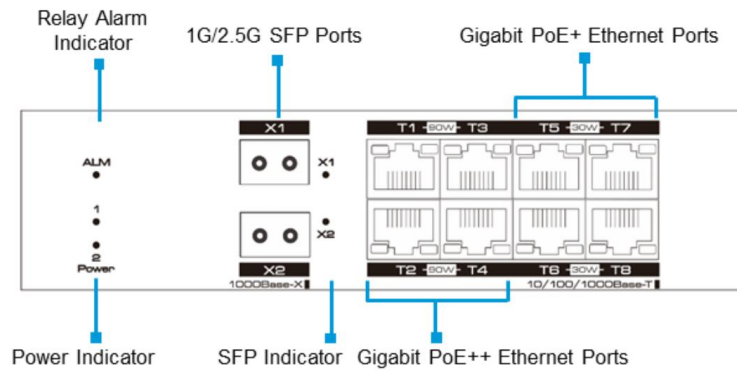
Software Architecture

Item	
Reliability	
Rapid spanning tree	<ul style="list-style-type: none"> • Enable and Disable • STP Version • Device Priority • Message Sending Period • Message Maximum Lifetime • Port State Transition Delay • This Bridge Update Message • Modify Configuration
MSTP Region Configuration	<ul style="list-style-type: none"> • Enable and Disable • Region name • Version • Hello Time • Max.Age • Forward Delay • Max. Hops • Instance ID • Corresponding VLANs • Priority
MSTP instance configuration	<ul style="list-style-type: none"> • Path Cost • Port Priority • Point-to-point • Admin Edge • Auto Edge • Restrict Role • Restrict TCN • BPDU Filter • BPDU Guard • Root Guard • Port Range
MSTP Port Configuration	<ul style="list-style-type: none"> • Instance ID • MSTP Bridge Information • MSTP instance information
MSTP instance information	<ul style="list-style-type: none"> • Enable and Disable • Fast Ring Network Group 1 • Fast Ring Network Group 2
FastRing Protect	<ul style="list-style-type: none"> • Enable and Disable • Protect Automatic Recovery
Loopback Protect	<ul style="list-style-type: none"> • Disable Loop Port Time • Port Range • Port Loop Detection
ERPS Ring	<ul style="list-style-type: none"> • Ring Number • East Interface • West Interface
ERPS Instance	<ul style="list-style-type: none"> • Enable and Disable • Name • ID • Ring Number • Level • RAPS VLAN • Owner Interface • Subring Blocking • Associated Instance
Network Diagnosis	
ICMPv4	• Ping IPv4
ICMPv6	• Ping IPv6
Traceroute	• Destination IP
Alarm Management	
Alarm Host	<ul style="list-style-type: none"> • Enable and Disable • Alarm Type • Power Supply • Port Network • Port PoE
DMS	
Device List	<ul style="list-style-type: none"> • Enable and Disable • Type in List
Topology View	• Topology View
System Management	
Port Mirroring	<ul style="list-style-type: none"> • Enable and Disable • Monitor Port • Mirror Port Range • Collect Data
SNMP	<ul style="list-style-type: none"> • Enable and Disable • SNMP Gateway • SNMP Version • Read-only Group Name • Read and Write Group Name • SNMP V3 setting
Telnet	• Enable and Disable
HTTP	• HTTP and HTTPS
Time	<ul style="list-style-type: none"> • Time Setting • World Time Zone • NTP Server • System Time • PC Time
Syslog	<ul style="list-style-type: none"> • Enable and Disable • Show Type • Information Processing
Management	<ul style="list-style-type: none"> • Restore Factory Value • System Reboot • Download Configuration File • Upload Configuration File • Choose upgrade file
User Setting	<ul style="list-style-type: none"> • Access Privilege • Username • Input password • Confirm password • Password type • Every day • Every week • Every month
Timing Restart	<ul style="list-style-type: none"> • Access • Manage VLAN • IP Addr • Subnet mask • Default gateway • DNS address • IPv6 address • IPv6 default gateway • CCTV Mode • Device Lock
Manage IP Address	<ul style="list-style-type: none"> • Fast Ring • Device Online
One Key Smart	

Dimensions(mm)



Front panel



Side panel

