

POE-SW806GM-Solar

L2 Managed Solar PoE Switch with Built-in MPPT Solar Charge Controller



Outstanding Features

- **SOLAR PoE SWITCH:** Industrial PoE Switch with built-in MPPT solar charge controller, working directly with PV solar panels (Max. 300W) and batteries to supply non-stop PoE power for security cameras, Wireless bridges, LED lights, etc.
- **FOUR PoE OUTPUTS:** Port 1-2: 802.3af/at PoE+ 30W or passive 24V output; Port 3-4: Up to 802.3bt PoE++ 90W output; Total PoE budget 120W.
- **SMART BATTERY MANAGEMENT :** Local battery status LED indicator and remotely battery management, compatible with battery types (Lead Acid, Lithium or LifePO4 Lithium batteries), 12V or 24V up to 10A.
- **L2 MANAGEMENT:** VLAN, STP, Link Aggregation, QOS, MAC/IP Based ACL, etc. Managed via WEB GUI, CLI or SNMP
- **ALARM I/O:** Support alarm input and trigger alarm output by temperature sensor, PoE device offline, etc.
- **REMOTE CONTROL:** Low voltage cut-off protection, intelligent PD alive check, PoE On/Off control or PoE output schedule
- **INDUSTRIAL DESIGN:** Designed for harsh environment (-40 °F ~ 176 °F), Fanless metal enclosure, 6KV surge protection, DIN rail mount

Specification

Solar & UPS Management	
Flexible Power Supply and Priority	Solar Power > External DC > Battery
Built-in Solar Charge Controller	Yes (MPPT Controller)
Solar PV Input	300W Max ≤32V(in DC 12V Mode) or ≤45V(in DC 24V Mode)
Max. Charging Current	15A
Support external DC charging	Yes
DC Input Range	For 12V Battery: DC 20-30V; For 24V Battery: DC 30-57V
Built-in Battery Management	Yes
Battery Type	Lead Acid/Lithium/LiFePO4
Battery Input	12/24V 10A
Battery Capacity	200AH
Discharge Current	15A
POE Switch	
Interfaces	(4) 10/100/1000Base-T RJ45 Ports (2) 1.25G SFP Slot (1) Console Port
PoE Outputs	Port 1-2: 802.3af/at PoE 30W (Pin 1/2+, 3/6-) or Passive 24V PoE 24W (Pin 4/5+, 7/8-) Port 3-4: 802.3bt PoE++ 90W (Pin 1/2/4/5+, 3/6/7/8-)
Total PoE Budge	120W
Exchange Capacity	12Gbps
Packet Forwarding Rate	8.94Mpps
Mac Address Table	8k
Packet Buffer Memory	4.1Mb
Jumbo Frame	10240 Bytes
System	
Enclosure	Metal, fanless design
Dimension	6.14 x 4.53 x 2.6 Inches (156×115×66 mm)

**Disclaimer: Technical specifications may subject to change without prior notice*

Specification

Net Weight	2.82 lbs (1.28kg)
Power Consumption	5W Max (without PoE output) or 125W with PoE outputs
Protection Level	6kV Lightning protection 6kV ESD Contact discharge
Working Temperature	-40 °F ~ 158 °F (-40°C ~ 70°C)
Storage Temperature	-40 °F ~ 158 °F (-40°C ~ 70°C)
Working Humidity	10% ~ 90% RH non-condensing
Storage Humidity	5% ~ 90% RH non-condensing

Solar & Battery Controller

Solar Controller	PV input voltage, PV input current, PV status, DC output voltage, DC output current
Battery Controller	Battery type, Battery status, Battery voltage, Battery capacity, charging current, charging voltage, discharge voltage, discharge current.
External DC Chargin	AC-DC voltage, AC-DC current, AC-DC status
Alarm Events	AC-DC status, solar timing check, SYS temp sensor, Battery temp sensor, Battery status, battery capacity, alarm input

POE Port Management

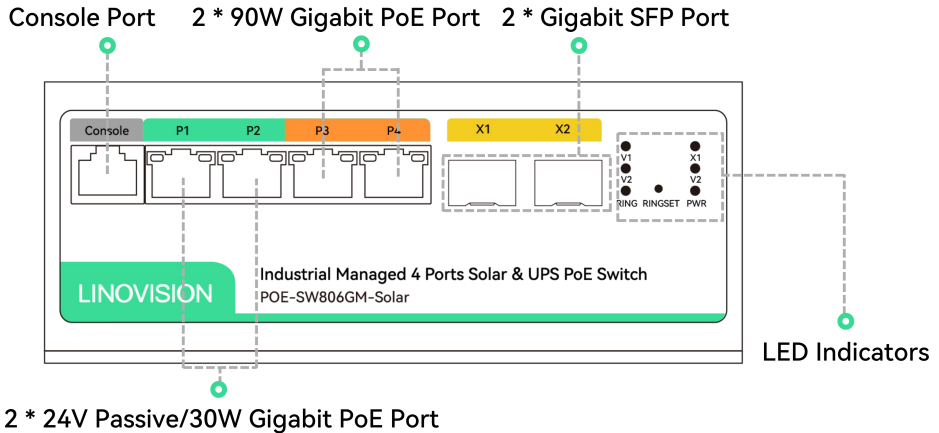
PoE Type	Active 48V, Passive 24V, BT 60W
PoE Port Control	ON/Off Control, PoE Budget

Switch Management

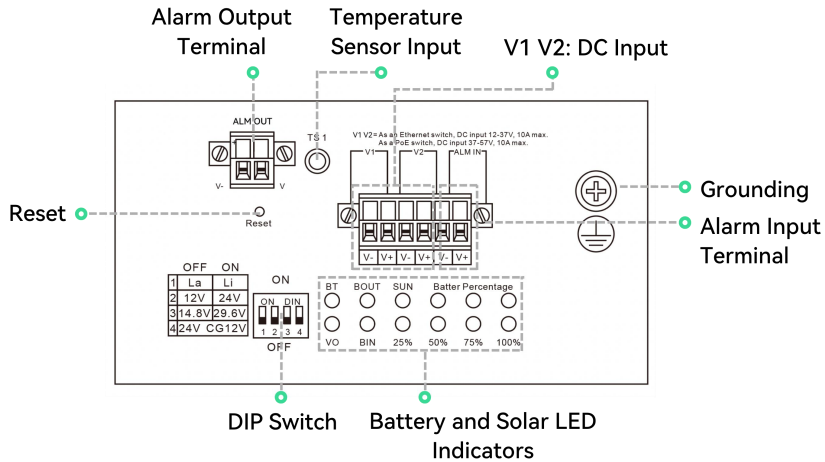
VLAN	Max 4K VLANs (802.1q Tagged VLAN, MAC-based VLAN, IP-based VLAN, Protocol-based VLAN)
Port Configuration	LACP, Jumbo Frame, Port Shutdown, Link Aggregation (Up to 8 aggregation groups and up to 8 ports per group), Port mirroring(One-to-One Many-to-One Tx/Rx/Both)
Security	IP-MAC-Port Binding, Support static and dynamic ARP, DHCP Snooping, IEEE802.1x AAA, RADIUS/TACACS+, RADIUS, Port Isolation
Access Control	Port based authentication, Secure Command Line Interface (CLI) management with SSHv1/SSHv2, Broadcast/Multicast/Unicast Storm Control, Port MAC address filtering
QoS	Port-based (uplink and downlink traffic of a single port can be restricted), 802.1p-based Classification, Support WRR, SP, WFQ, DSCP-Based Classification, ACL-Based Classification
Management	Web-based GUI, Command Line Interface (CLI) through console port, telnet, SSH, SNMPv1/v2c/v3

Interface

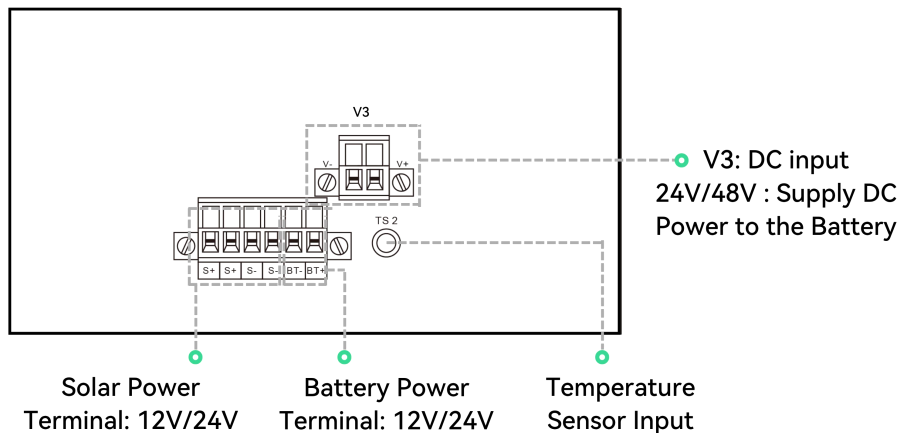
1 Front Panel



2 Down Panel

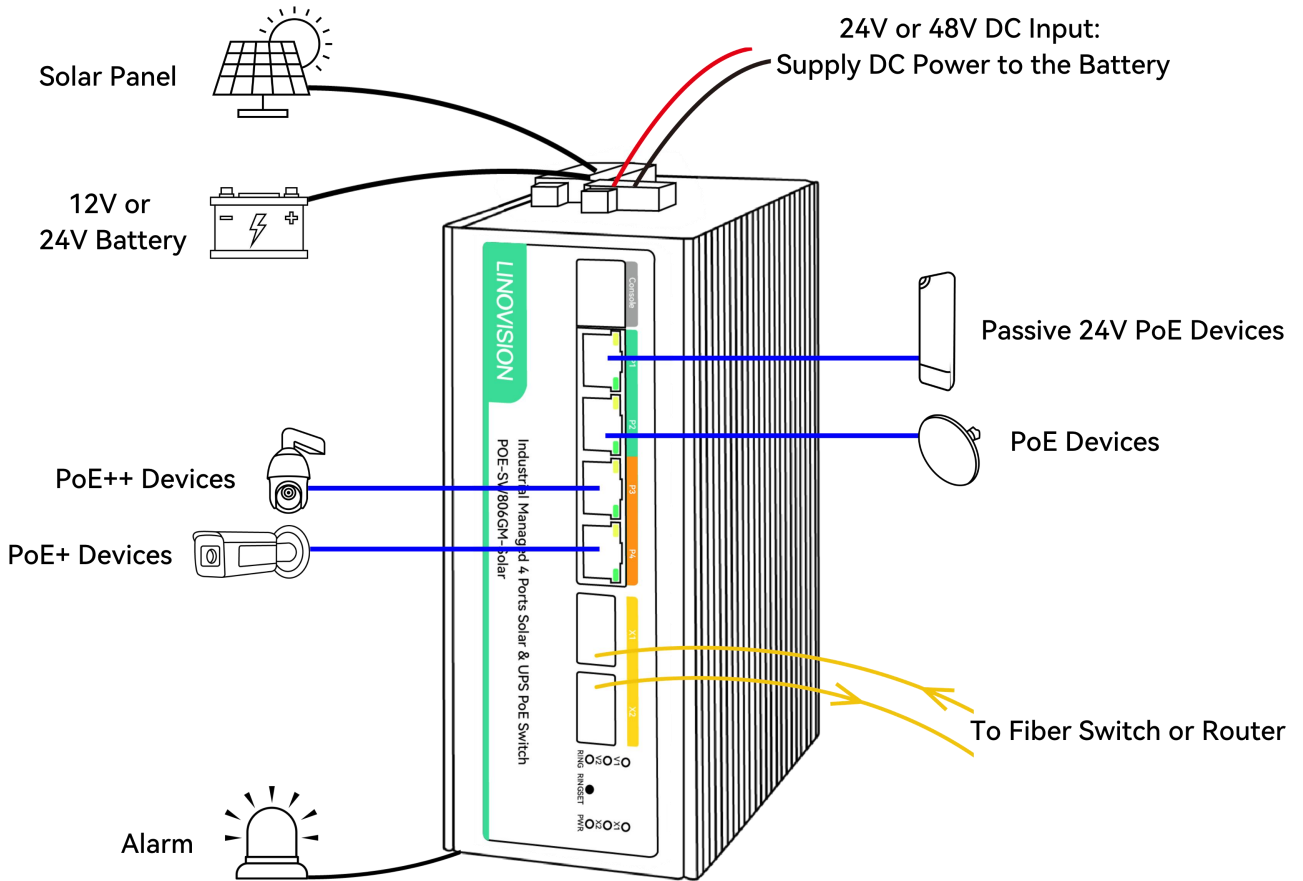


3 Up Panel



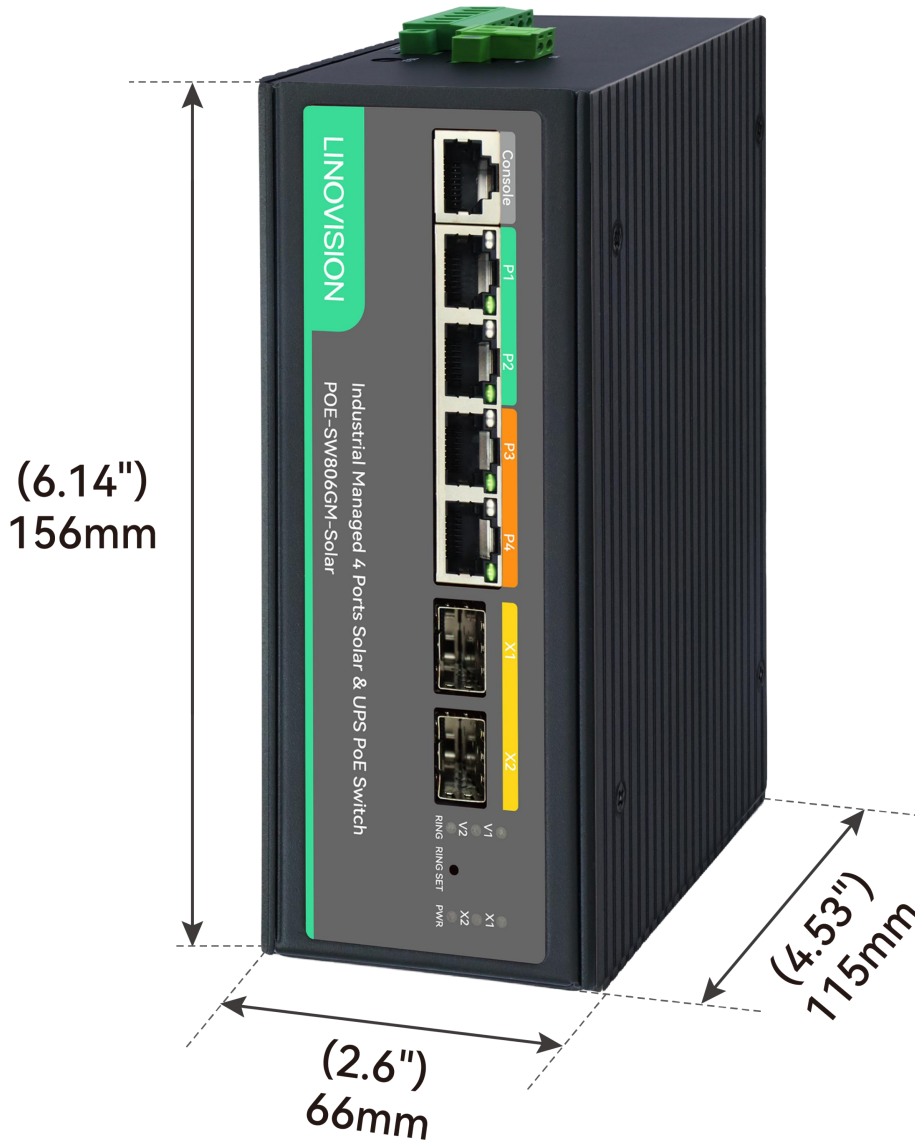
*Disclaimer: Technical specifications may subject to change without prior notice

Connection Diagram



**Disclaimer: Technical specifications may subject to change without prior notice*

Dimension



Weight: 1.28 kg (2.82 lb)

Package

x1



POE-SW806GM-Solar

x1



Temperature Sensor

x1



User Maunal