

POE-SW806GM-Solar

Managed Solar PoE Switch with Built-in MPPT Solar Charge Controller, L2 Management



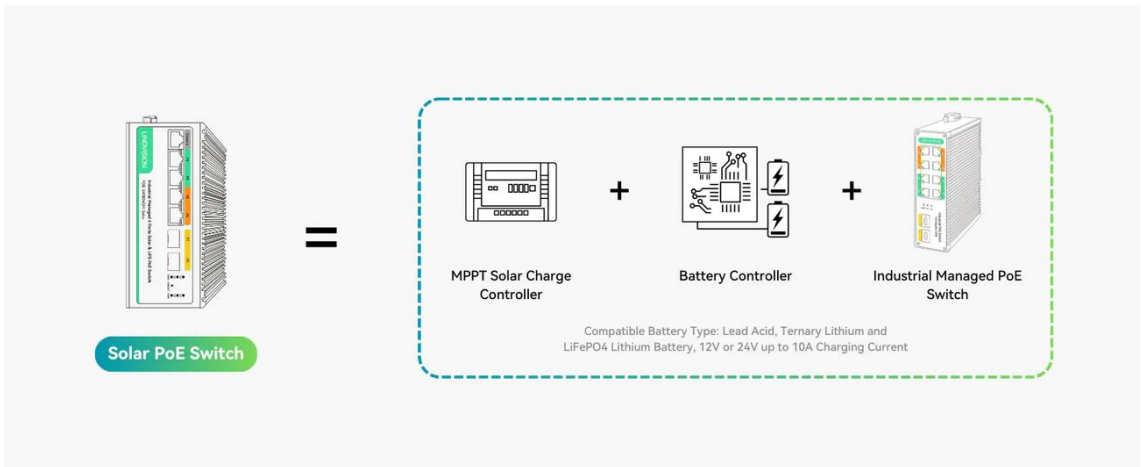
Outstanding Features

- **SOLAR PoE SWITCH** – Industrial PoE Switch with built-in MPPT solar charge controller, working directly with PV solar panels (Max. 300W) and batteries to supply non-stop PoE power for security cameras, Wireless bridges, LED lights, etc.
- **FOUR PoE OUTPUTS** – Port 1–2: 802.3af/at PoE+ 30W or passive 24V output; Port 3–4: Up to 802.3bt PoE++ 90W output; Total PoE budget 120W.
- **SMART BATTERY MANAGEMENT** – Local battery status LED indicator and remotely battery management, compatible to battery types (Lead Acid, Lithium or LifePO4 Lithium batteries), 12V or 24V up to 10A.
- **L2 MANAGEMENT** – VLAN, STP, Link Aggregation, QOS, MAC/IP Based ACL, etc. Managed via WEB GUI, CLI or SNMP
- **ALARM I/O** – Support alarm input and trigger alarm output by temperature sensor, PoE device offline, etc.
- **REMOTE CONTROL** – Low voltage cut-off protection, intelligent PD alive check, PoE On/Off control or PoE output schedule
- **INDUSTRIAL DESIGN** – Designed for harsh environment ($-40^{\circ}\text{F} \sim 176^{\circ}\text{F}$), Fanless metal enclosure, 6KV surge protection, DIN rail mount

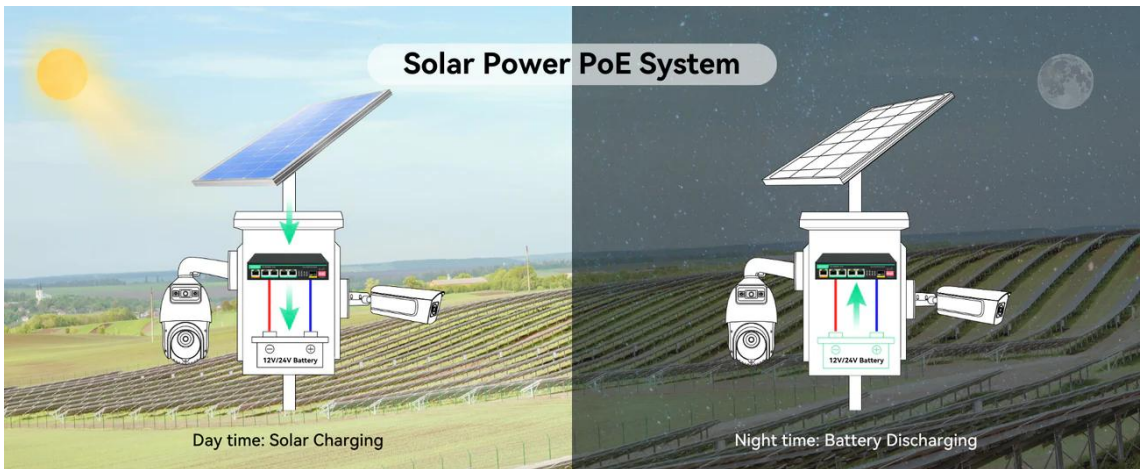
Specification

Interface	4 10/100/1000Mbps RJ45 Ports 2 1000Mbps SFP Slots 1 Console Port
PoE Ports (RJ45)	Port 1–2: 802 .3af/at PoE+ 30W or passive 24V Port 3–4: 802 .3af/at/bt PoE++ 90W Port 5–6: SFP Slot with 1000Mbps
Network Media	10BASE–T: UTP category 3 , 4 , 5 cable (maximum 100m) 100BASE–TX/1000Base–T: UTP category 5 , 5e , 6 or above cable (maximum 100m) 1000BASE–X: MMF, SMF 1000Base–L X:62 .5µm/50µm MM(2m–550m) or 10µm SMF (2m–5000m)
Fan Quantity	Fan less
Power Consumption	120W (max. with PoE device connected) 5W Max (without PoE output)
Power Supply	For 12V Battery: DC 15–32V For 24V Battery: DC 30–57V DC IN:12–57V
Power Priority	Solar Power>DC>Battery
Solar Controller Input	≤32V(12V standard) ≤45V(24V standard)300W Max
Battery Type	Lead acid/lithium/lifepo4
Battery Input	12/24V 10A
Exchange Capacity	12Gbps
Packet Forwarding Rate	8 .94Mpps
Mac Address Table	8k
Packet Buffer Memory	4 . 1Mb
Jumbo Frame	10240Bytes
Protection Level	6kV Surge Immunity 6kV Air Discharge
Certification	CE , FCC , RoHS
Package Dimension	230×165×79mm
Switch Dimension	157×115×67mm
Gross Weight	1 .49kg
Net Weight	1 .3kg
Package Contents	1 x Industrial PoE Switch 1 x Temperature Sensor 1 x Screw Driver 1 x Quick Installation Guide
Working Temperature	–40℃ ~80℃
Storage Temperature	–40℃ ~80℃
Installation	DIN– rail
Working Humidity	5%–95% (Non–condensation)
Storage Humidity	5%–95% (Non–condensation)
Spanning Tree	IEEE 802 . 1D –STP, IEEE 802 . 1w –RSTP, IEEE 802 . 1s –MSTP
VLAN	Max 4K VLAN Groups , 802 . 1q Tagged VLAN , MAC–based VLAN , IP–based VLAN , Protocol–based VLAN , Selective QinQ , 802 . 1q–based VLAN , Voice VLAN
Port	LACP, Jumbo Frame , Port Shutdown , Link Aggregation(Up to 8 aggregation groups and up to 8 ports per group) , Port mirroring(One–to–One Many–to–One Tx/Rx/Both)
Security	Standard IP–based ACL , Extended IP based ACL , MAC IP–based ACL , MACARP–based ACL , IPv6–based ACL , ACL Port Filtering , Time–based ACL
QOS	Port–based (uplink and downlink traffic of a single port can be restricted) , 802 . 1p–based Classification , Support WRR , SP, WFQ , DSCP–Based Classification , ACL–Based Classification
L2 Multicast	IGMP Snooping V1/V2/V3 , MLD Snooping , MVR
IPv6	IPv4/IPv6 Dual Protocol Stack , IPv6 Neighbor Discovery, Support manual address configuration , stateless address auto– configuration and stateful address configuration obtained through DHCPv6 client , – IPv6 TFTP, IPv6 SNMP, ICMPv6 , IPv6 Path MTU Discovery, IPv6 SSH , Tracert6
Management	Web–based GUI , Command Line Interface (CLI) through console port , telnet , SSH , SNMPv1/v2c/v3 Trap/Inform RMON (1 , 2 , 3 , 9)groups , Password Recovery, SNMP, System Log , 802 . 1ab LLDP/LLDP–MED , UDLN , Traceroute , Ping , CPU Monitoring , Firmware upgrade , Configuration export/import , Support SNMP based IPv4 and IPv6 , DHCP/BOOTP Client

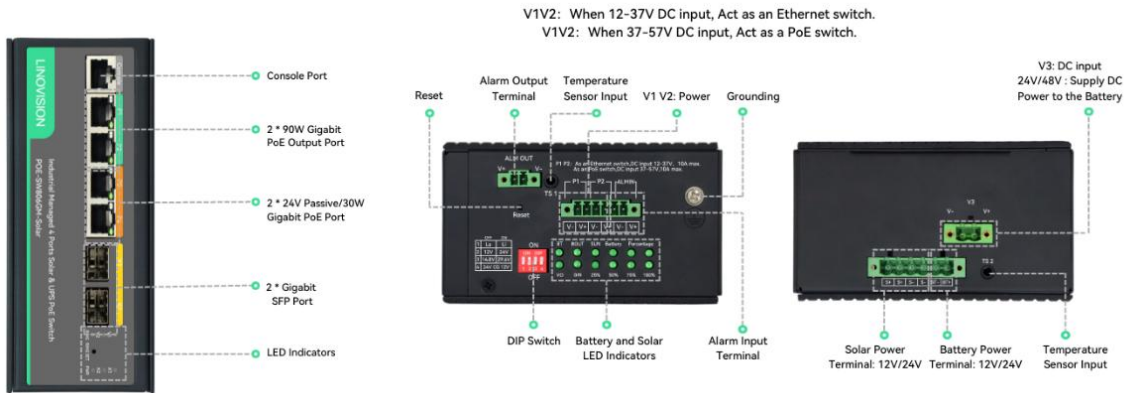
Built-in MPPT Solar Charge Controller



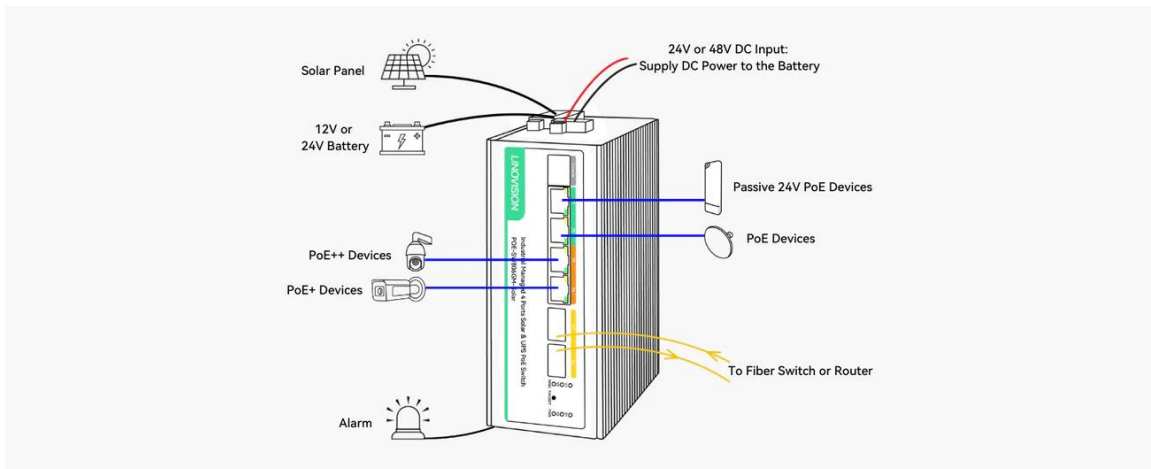
Application



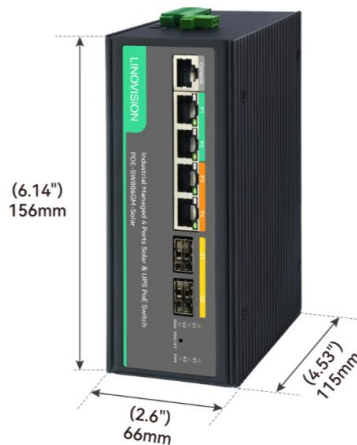
Panel Connection



Connection Diagram



Dimensions



Weight: 1.28 kg (2.82 lb)