

POE-SWMR708G4BT-SOLAR

8-Port Solar PoE Switch Based on Marvell Chipset

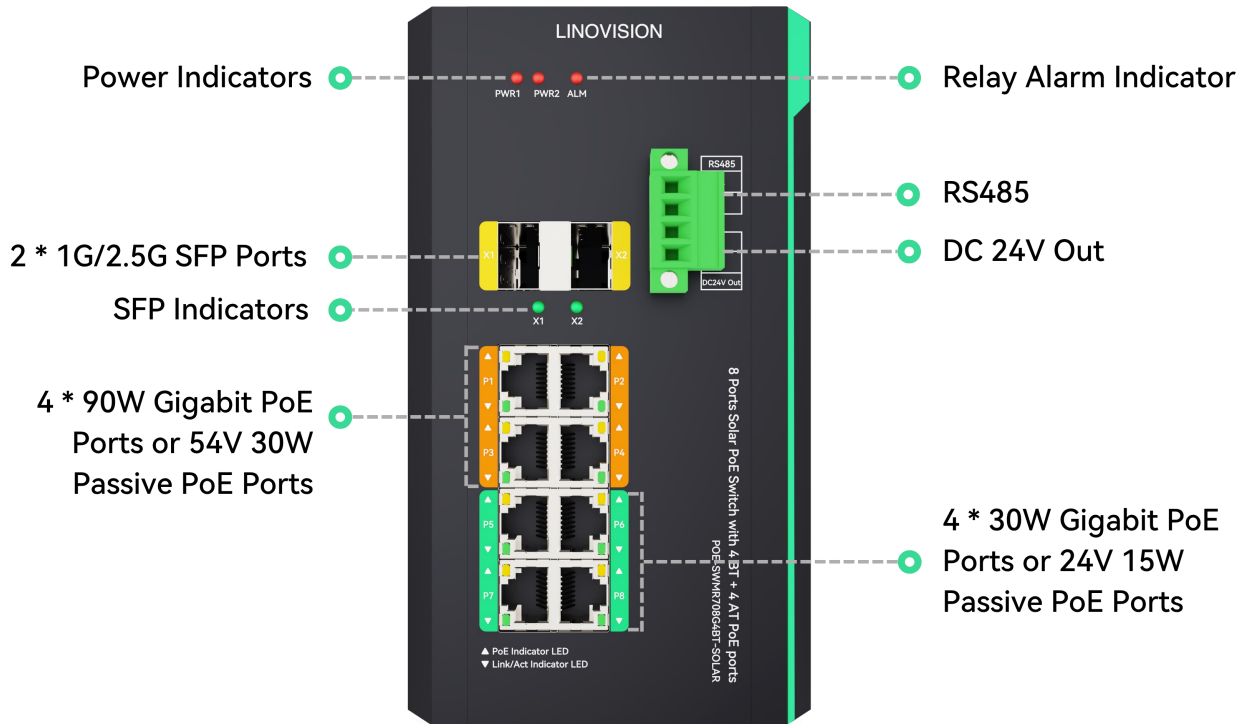


Outstanding Features

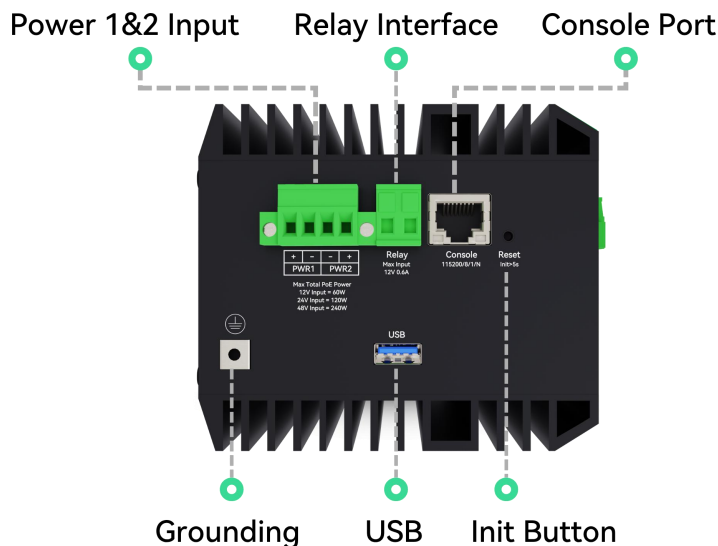
- **Layer 2 Managed PoE Switch** - Provides 8 * 10/100/1000Mbps Ethernet RJ-45 ports, 2 * 1G/2.5Gbps SFP uplink ports. Supports L2 management functions like VLAN, QoS, PoE Management, Link Aggregation and PoE port control. It can be managed via WEB, CLI or SNMP.
- **DC12~57V Wide Voltage Input:** Supports 2 channels of DC12~57V redundant power inputs. It is designed for reliable PoE power output in solar power systems, vehicles or other applications that without AC power input.
- **RS485 Serial Data Input:** Monitor the solar system via RS485—track status, battery output, charging, and temperature—compatible with third-party controllers, no serial server needed, and supports IoT sensors like humidity, smoke, and light control.
- **24V DC OUTPUTS:** Provides 24V DC, 0.25A power for Non-POE IP cameras, access reader terminals, IP speakers, Routers, etc.
- **Passive 54V/24V PoE Output:** Each port can be individually switched via Web or CLI between Passive and standard PoE modes, with per-port power monitoring; ideal for wireless APs, wireless bridges, or other devices that accept 54V/24V Passive PoE—no extra PoE injector needed.
- **PoE Watchdog and P-PoE:** Its PoE watchdog technology enables continuously monitoring PoE ports and automatically reboot PD device if it is freezing, and the Perpetual PoE ensure non-stop PoE supplying even if the switch is restarting. They are unique features for many IoT devices that rely on non-interruption operation.
- **90W BT PoE:** Fully compliant with IEEE 802.3af/at standards for all ports. Ports 1-4 support 802.3af 90W or Passive 54V (30W), Ports 5-8 support 802.3at 30W or Passive 24V (15W). Total PoE budget 240W @ 57V, or 120W @ 24V, or 60W @ 12V.
- **Marvell Chipset:** Built on a Marvell chipset for high-performance, stable, and reliable delivery with advanced network management features.
- **Fanless Industrial Design:** Designed for harsh environment, 6KV surge protection, 8KV ESD protection, working environment (-40°C ~ +75°C or -40 °F ~ +167 °F)

Interface

Front View

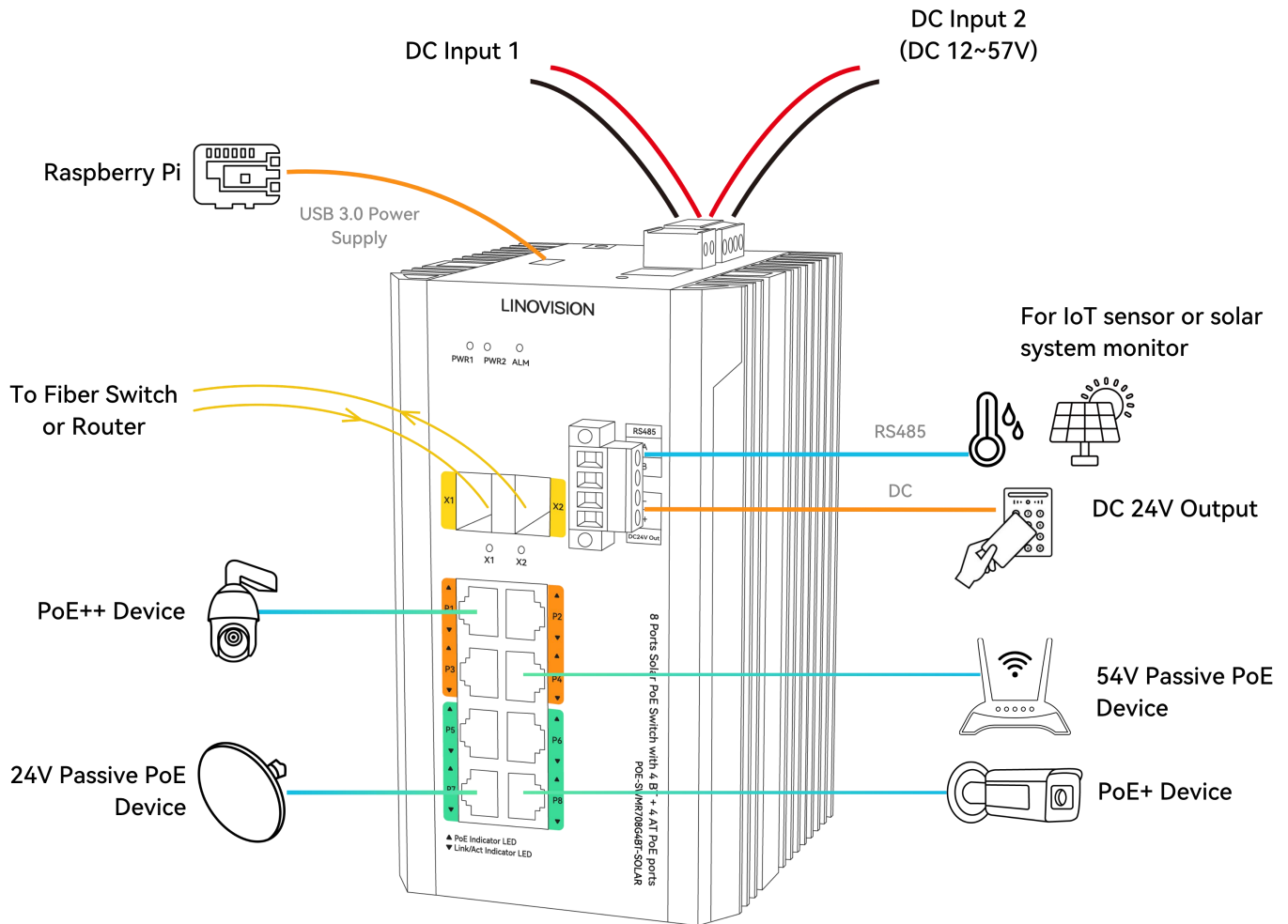


Side View



**Disclaimer: Technical specifications may subject to change without prior notice*

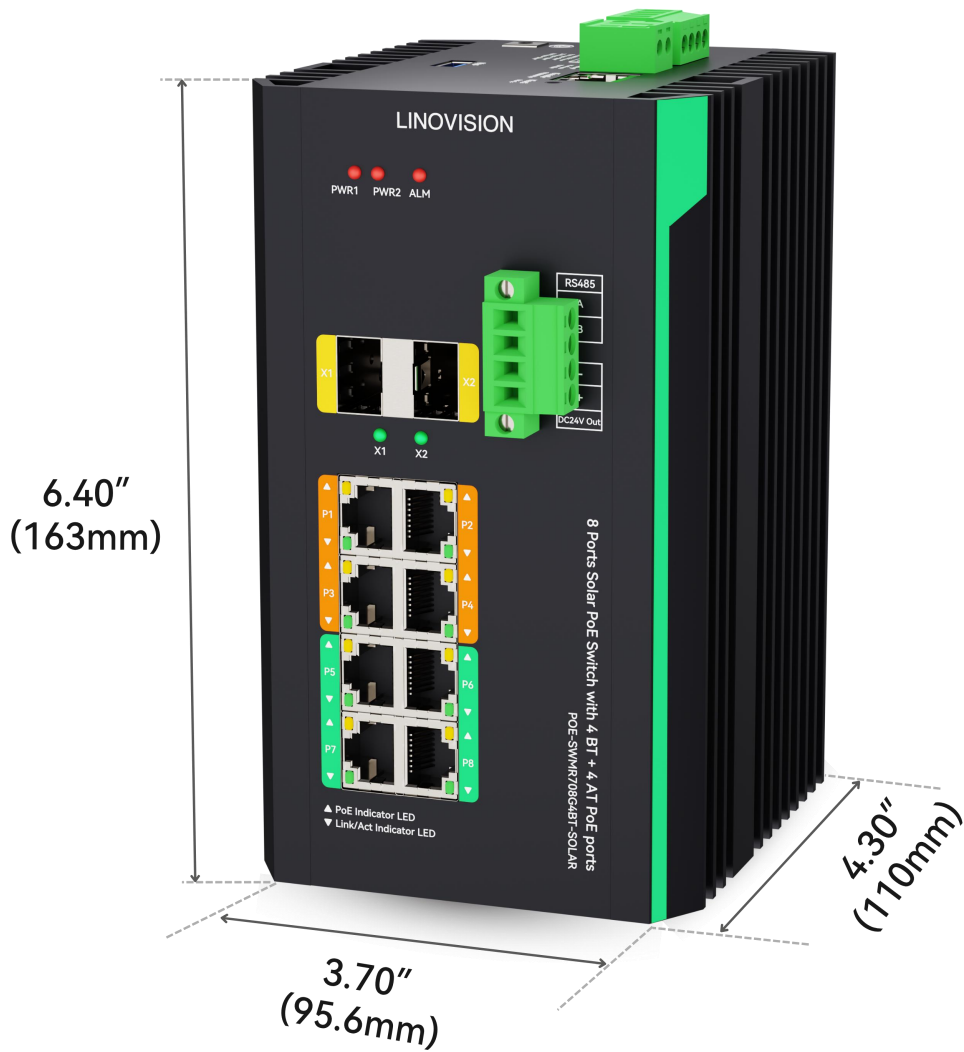
Connection Diagram



**Disclaimer: Technical specifications may subject to change without prior notice*

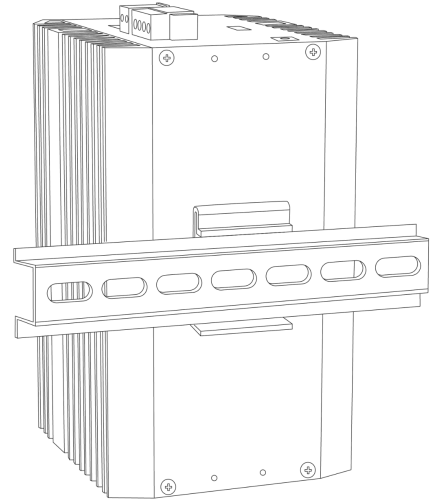
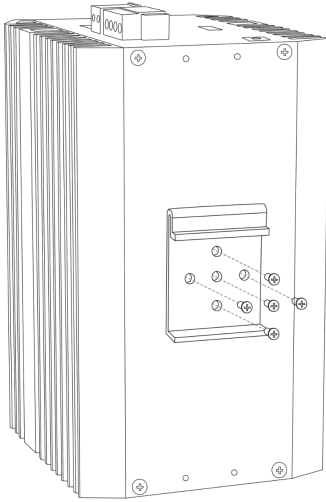
LINOVISION

Dimension

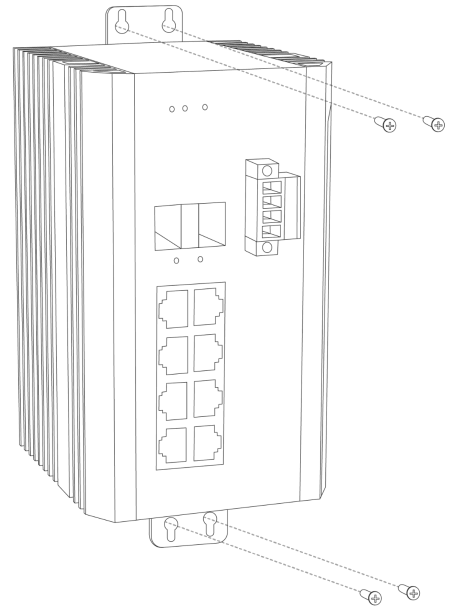
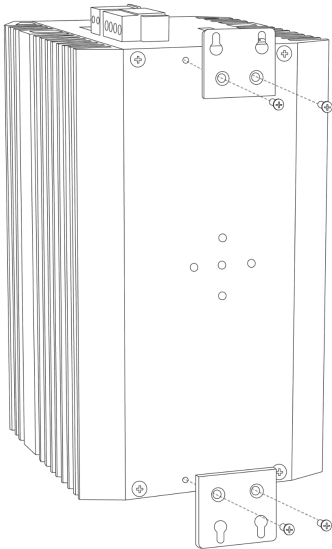


Weight: 1.64 kg (3.62 lb)

Installation



DIN-rail Installation

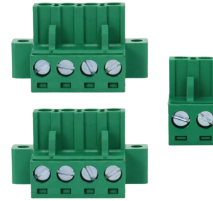


Wall-mounted Installation

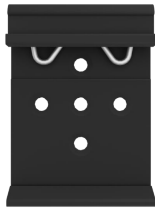
Package



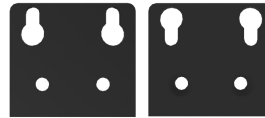
POE-SWMR708G4BT-Solar



Terminal



DIN-Rail



Wall Mounting Pack



Screws



Quick Guide

Specification

Hardware	
Dimensions (W*D*H)	95.6*110*163 mm (3.70*4.30*6.40 in)
Weight	1.64kg (3.62lb)
Installation	DIN-rail/Desktop/Wall mounted
Material	Metal
Interface	
Ethernet Port	8 × 10/100/1000BASE-T PoE RJ-45 (Auto MDI/MDI-X)
SFP Ports	2 × 2.5 GBASE-X SFP
Management Ports	1 × RJ-45 Console
Alarm	1 × Relay, Max. Input 12V 0.6A
Serial Port	1 × RS-485
USB Port	USB 3.0, For Powering USB Devices
DC Output	24V DC, Max. 0.25A
Power	
Power Input	Power 1 (Main): 12 to 57V DC Power 2 (Redundant): 12 to 57V DC
Total Power Budget	240W @ 48V DC Input 120W @ 24V DC Input 60W @ 12V DC Input
Power Consumption	< 11W
LED Indicator	
PWR1, PWR2	Red: Power On
ALM	Red: Alarm Condition
Port 1-8	Green: Link/Active, Orange: PoE On
X1, X2	Green: SFP Link/Active
PoE	
PoE Standard	IEEE 802.3 af/at/bt, Passvie PoE
PoE Ports	Port 1-4: Configurable 802.3bt 90W or 54V 30W Passive PoE Port 5-8: Configurable 802.3af/at 30W or 24V 15W Passive PoE

**Disclaimer: Technical specifications may subject to change without prior notice*

Pin Assignment	IEEE 802.3 bt: 4-Pair, 1/2/7/8(-)3/6/4/5(+) IEEE 802.3 at: Mode A, 1/2(+)/3/6(-) Passive PoE: Power pairs 4/5(+)/7/8(-)
Switching Feature	
Jumbo Frame Support	9KB
Switching Capacity	28 Gbps / non-blocking
Packet Forwarding Rate	19.344 Mpps
Forwarding Mode	Store and Forward
Memory	165MB
MAC Table	16K MAC, self-learning
Port Buffer	2MB
L2+ Function	
Management Methods	WEB, CLI, TELNET, SSH, SNMP
VLAN	Supports up to 4094 active VLANs simultaneously (out of 4096 VLAN IDs) 802.1Q tag-based VLAN
Port Management	PoE enable/disable PoE Mode control Total PoE Power budget control PoE Port priority PoE port power limitation PD alive check PoE scheduling
STP	Standard Spanning Tree (STP) 802.1d Rapid Spanning Tree (RSTP) 802.1w Multiple Spanning Tree (MSTP) 802.1s TC-BPDU Guard BPDU Guard BPDU Filter
Ring Network Protocol	ERPS (Ethernet Ring Protection Switching) <20ms G.8032 ERPS Ring
Link Aggregation	Manual Aggregation LACP Dynamic Convergence
IGMP v1/v2 Snooping	Supports 256 multicast groups
MAC Management	Add/Delete MAC Address learning limit Dynamic Aging Time Setting
QoS	802.1p(COS) DSCP Classification Supports SP/WRR Scheduling Strategy

Other Functions	LLDP Basic Logging SNMP Trap Device Reset Configuration save/restore NTP time setting Upgrade Management
Environment	
Surge Protection	IEC61000-4-5, Common ± 6 kV
ESD Protection	IEC61000-4-2, Level 3: Contact ± 6 kV, Air ± 8 kV
Operating Temperature	-40°C - 75°C (-40°F - 167°F)
Storage Temperature	-40°C - 85°C (-40°F - 185°F)
Operating Humidity	5%-95%, non-condensing
Storage Humidity	5%-95%, non-condensing