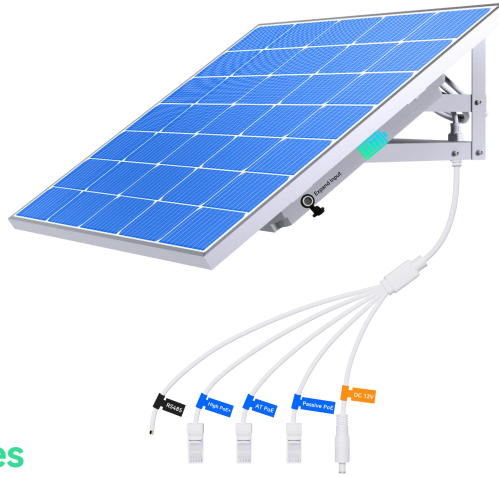


SOLAR-S1240P100POE

5-in-1 Smart Solar Power System for Security Cameras and IoT Device



Outstanding Features

- **INTEGRATED DESIGN:** Fully integrated 5-in-1 design (solar panel, battery, charge controller, poe switch and bracket)
- **PoE Output:** 1x IEEE802.3af/at PoE, 1x 45W High PoE and 1x Passive 24V PoE output (Any PoE port can be used as an Uplink Port)
- **SOLAR PANEL:** 100W monocrystalline solar panel with foldable pole mount bracket
- **LIFEPO4 BATTERY** - Built-in 538WH LiFePO4 battery capacity, about 80 hours battery retention with 1 camera and 1 4G router connected(Depending on connected device consumption)
- **HIGHER SAFETY:** LiFePO4 batteries offer enhanced safety, with strong high-temperature resistance and a stable material structure.
- **RICH INTERFACES:** 3 Ports PoE Output, DC12V Output (2-pin cable), RS485 (2-pin cable) for remote charge status monitoring
- **REMOTE MONITORING:** Provide RS485 for remote charge status monitoring when connecting the SOLAR-S1240P100POE to a RS485 to TCP gateway such as IOT-C101 or IOT-R32W.
- **EXPAND INPUT PORT:** It can be used to connect another SOLAR-S1240P100POE in parallel to extend the system's overall runtime.
- **ANTI-CORROSION:** Anti-corrosion design with Galvanization steel material
- **INDUSTRIAL DESIGN:** Work in cold regions, automatic heating below 0°C or 32°F, IP66 waterproof for outdoor applications

**Disclaimer: Technical specifications may subject to change without prior notice*

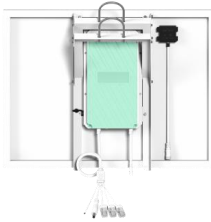
Specification

System	
Output Voltage	12.8V DC (11.2V–14.6V)
Output Current	10A
Solar Panel	
Type	Monocrystalline silicon
Max. Power	100Wp
Efficiency	≥19%
Battery	
Type	Lithium iron phosphate
Nominal Capacity (25°C/77°F, 5 hr)	42Ah
Low Temperature Discharge Performance	≥50% nominal capacity (–20 °C [–4 °F], 5 hr)
Normal Temperature Discharge Performance	≥99% nominal capacity (25 °C [77 °F], 5 hr)
High Temperature Discharge Performance	≥90% nominal capacity (55°C [131 °F], 5 hr)
Upper Limit of Charging Voltage	14.6V
Max. Charging Current	10A
Charge and Discharge Cycle Times	>2000 times
Protection	
Over Discharge Protection Voltage	11.2V
Low Temperature Charging Inhibition	0°C (32 °F)
Low Temperature Discharging Inhibition	–20°C (–4 °F)
High Temperature Charging Inhibition	55 °C (131 °F)
High Temperature Discharging Inhibition	65 °C (149 °F)
Protection	IP66
Others	Protection against overheating overcharging, overloading and short circuits.
Port	
Power Output Port	DC 12V (5.5/2.1mm interface)
RS-485	1
Network	2 * 10/100 Mbps RJ45 PoE Ports 1 * 10/100/1000 Mbps RJ45 PoE Ports
Ethernet	
PoE Output Ports	Port 1: PoE+, IEEE 802.3af/at, Mode A (Pins 1/2 [+], 3/6 [–]), Max 30W Port 2: Passive PoE, 24 V, (Pins 4/5 [+], 7/8 [–]) Port 3: High PoE+, IEEE 802.3af/at, Mode A (Pins 1/2 [+], 3/6 [–]), Max 45W

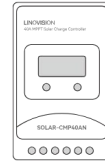
**Disclaimer: Technical specifications may subject to change without prior notice*

Power Consumption	Idle: < 1.5W
MAC Address Table	2K
Packet Length	16 KB
Switching Capacity	2.4 Gbps
Environment	
Operating Altitude	≤3,000 m (9,842.52 ft)
Applicable Area	The device needs to be exposed to direct sunlight for at least 3.5 hours under standard lighting intensity to ensure it operates normally.
Operating Temperature	Charging: 0 °C to + 55 °C (32 °F to +131 °F); the device self-heats when the battery reaches 0 °C and stops heating when the battery exceeds 5 °C Discharging: -20 °C to + 65 °C (-4 °F to 149 °F)
Operating Humidity	10%–90% (RH)
Storage Temperature	-20 °C to +60 °C (-4 °F to +140 °F); the storage time is less than 2 months. -10 °C to +25 °C (+14 °F to +77 °F); the storage time is less than 12 months.
Storage Humidity	65 ± 20% (RH)
Anti-corrosion Level	Basic Protection
Structure	
Main Body Material	Photovoltaic panel frame: aluminum alloy Battery compartment: PC and ASA Bracket: Q235
Installation	Column-shaped vertical pole (Φ90 mm–114 mm)
Product Dimensions	765 mm * 630 mm * 98 mm (30.12" * 24.80" * 3.85")
Packaging Dimensions	860 mm * 750 mm * 140 mm (33.86" * 29.53" * 5.51")
Net Weight	13.25 kg (29.21 lb)
Gross Weight	14.8 kg (32.63 lb)

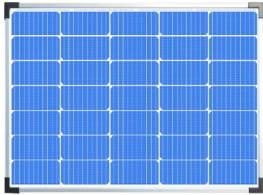
5-in-1 Design



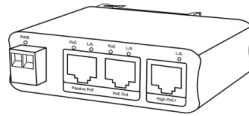
Built-in 512Wh LiFePO4 Battery



Solar Charge Controller with
Cloud Monitoring



100W Solar Panel



PoE Switch



Integrated Foldable Bracket



Solar-S1240P100POE

**Disclaimer: Technical specifications may subject to change without prior notice*

Package Contents



Fully Integrated Solar Panel



Pole Mount Bracket



Bracket Adjuster

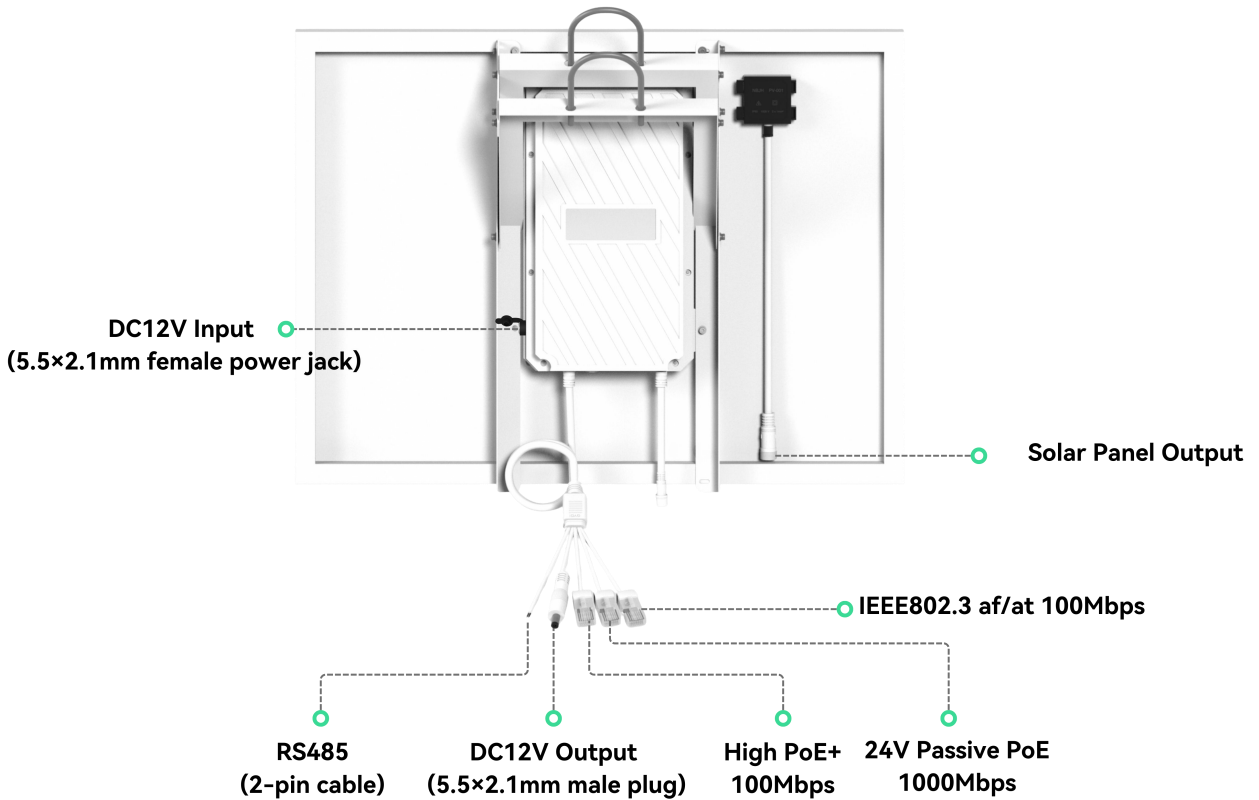


Mounting Screws



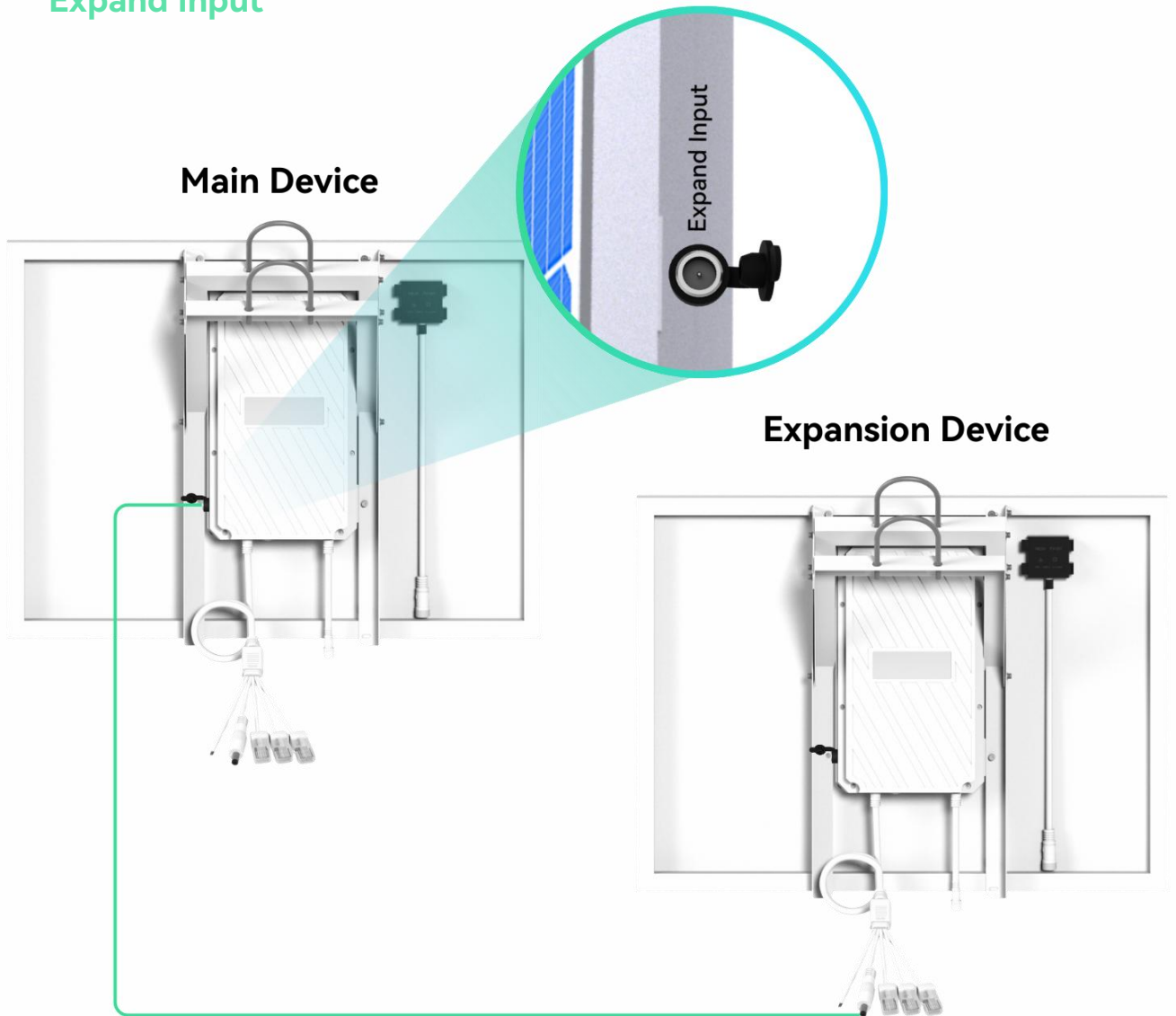
Quick Guide

Interface



**Disclaimer: Technical specifications may subject to change without prior notice*

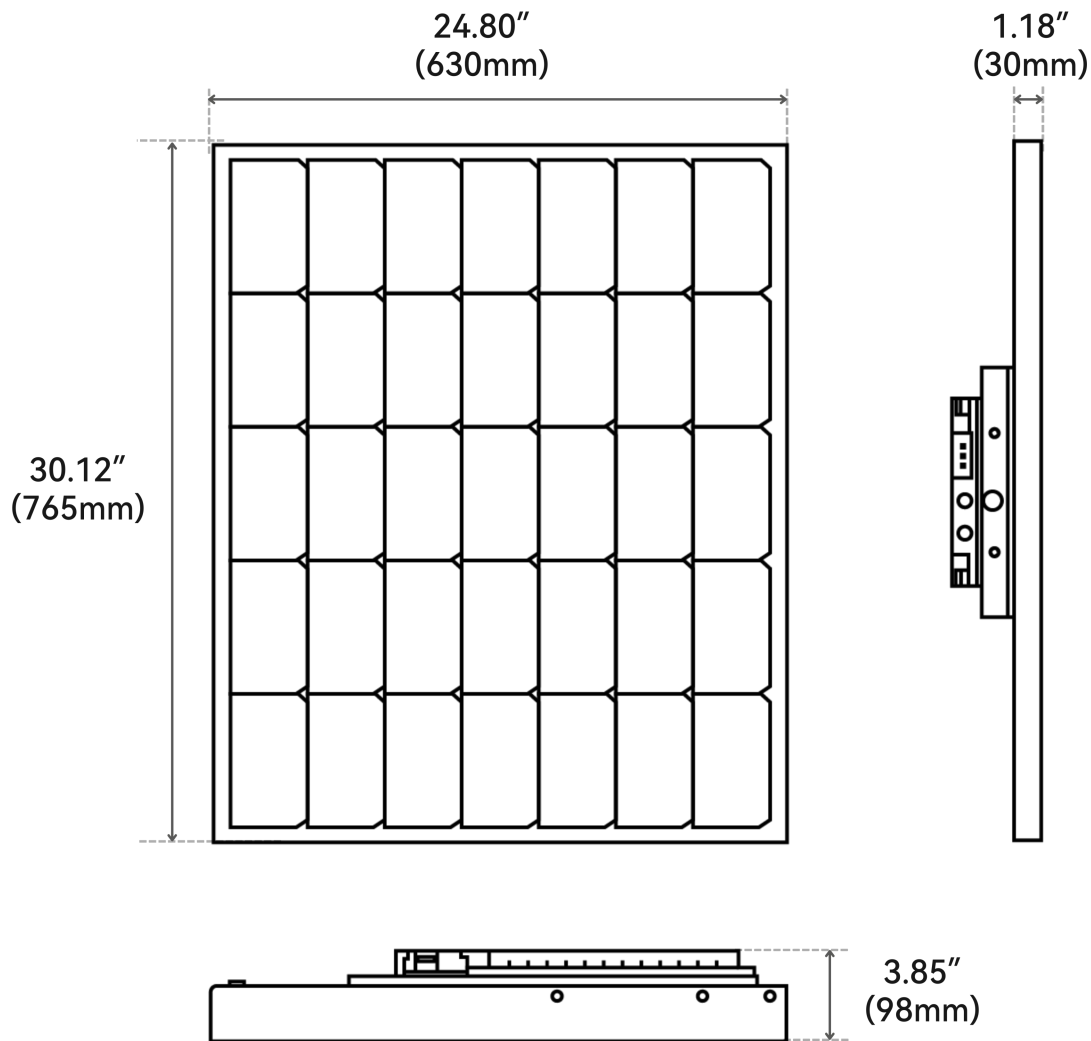
Expand Input



- Expand Input port can be used to connect another SOLAR-S1240P100POE in parallel to extend the system's overall runtime.
- Note: When using the expansion function, please ensure that the expansion device is first connected to the main unit via the "Expand Input" interface, and only then connect the photovoltaic panels and battery interfaces of the expansion device. If the connection order is reversed, the expansion device will need to wait 30 seconds before it can supply power.

**Disclaimer: Technical specifications may subject to change without prior notice*

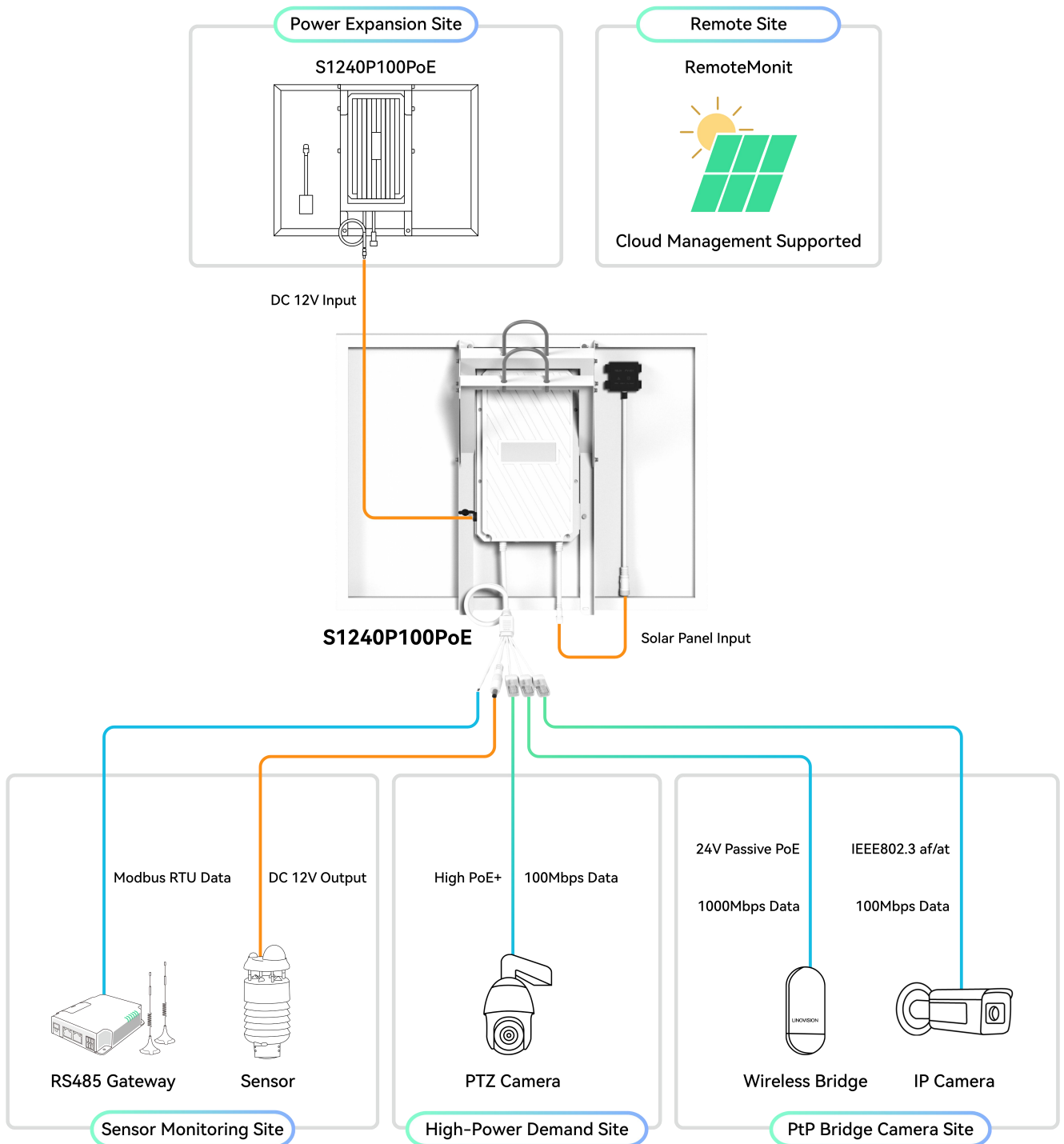
Dimension



Weight: 13.25 kg (29.21 lb)

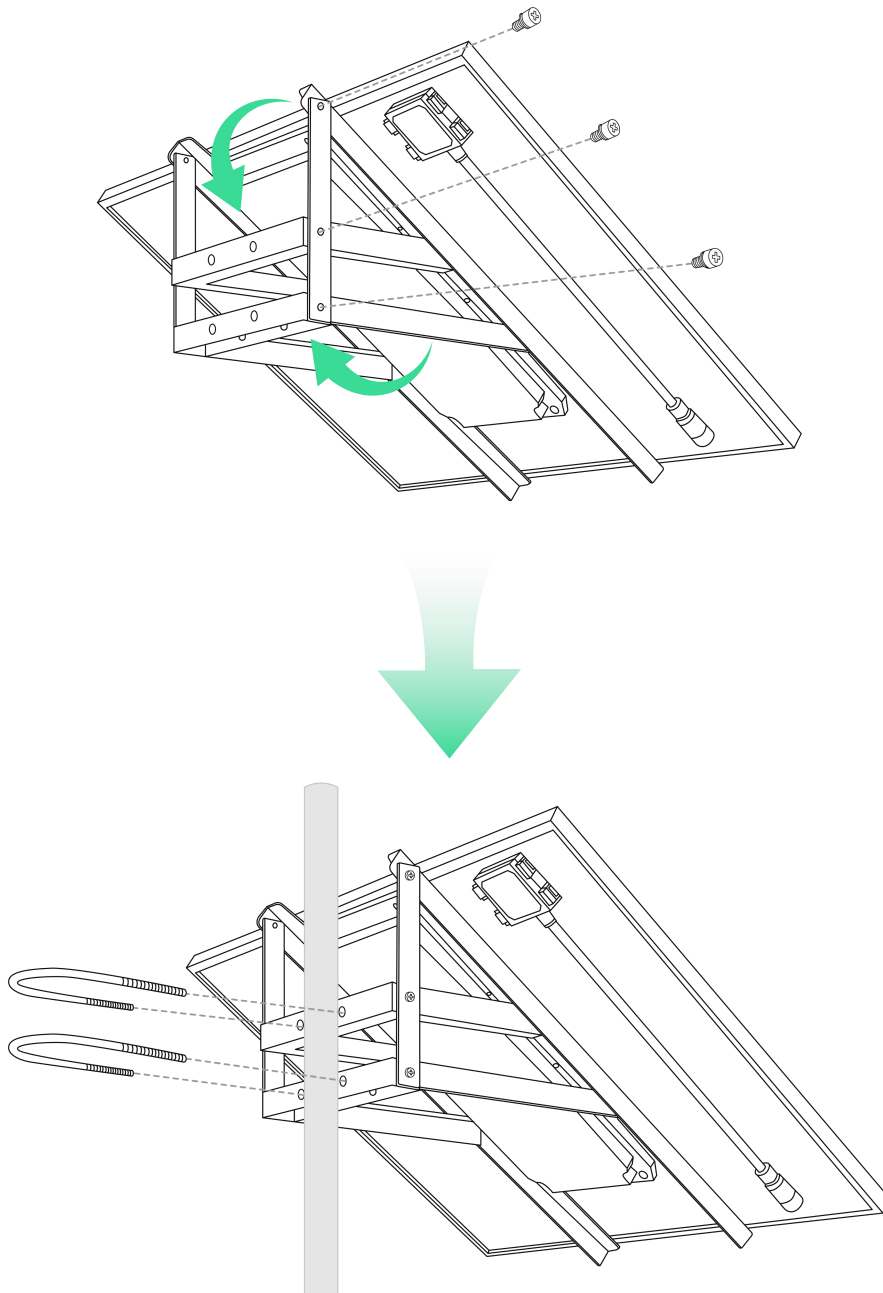
**Disclaimer: Technical specifications may subject to change without prior notice*

Connection Diagram



**Disclaimer: Technical specifications may subject to change without prior notice*

Installation



**Disclaimer: Technical specifications may subject to change without prior notice*