

## Solar-Switch05

5-Port Gigabit Solar POE Switch & UPS POE Switch with Solar Charge Controller



This versatile 5-port full gigabit POE switch has both the functions of solar POE switch and UPS POE switch. As a solar POE switch, it has built-in solar charge controller, working with 12V or 24V solar panels. As an UPS POE switch, it supports 110V – 240V AC input and compatible to both lead acid and lithium batteries.

### Outstanding Features

- 5-port full gigabit POE switch
- Built-in solar charge controller
- Support DC24V5A Power Input (AC110 – 240V to DC24V power adapter is included)
- Support battery backup, Max. 150AH capacity, compatible to both lead acid and lithium batteries
- Provide 48V POE for regular IP cameras and 24V POE for wireless bridge device
- Total PoE output budget 150W
- Max Charging current is 15A
- Wide operating temperature range -40°C to +70°C or -40 °F to 158 °F.

### Two Working Modes

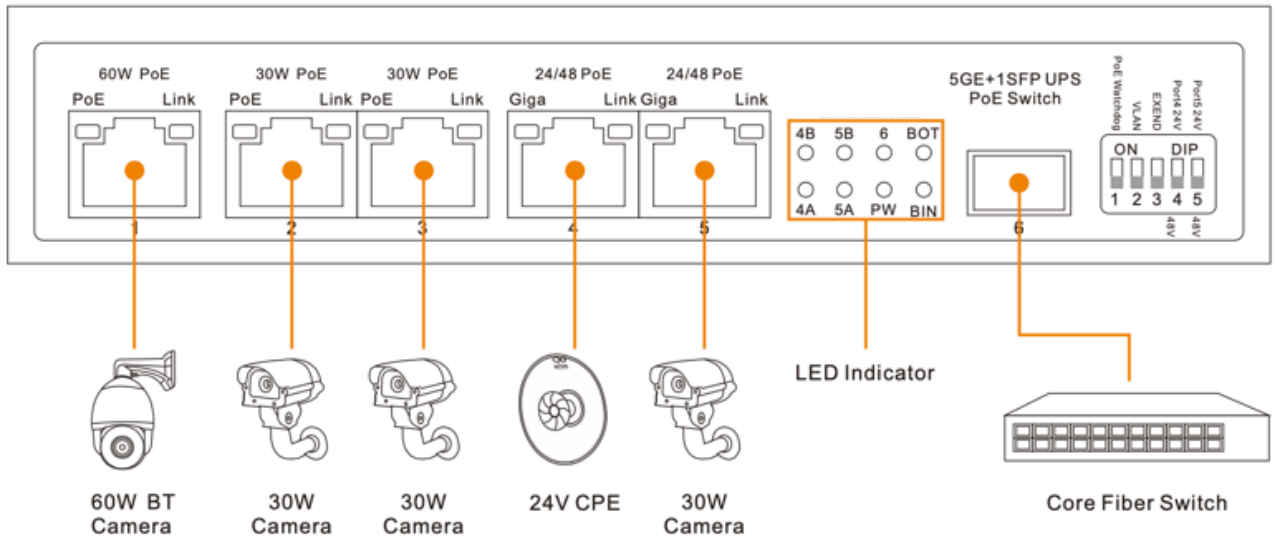
- As a Solar POE Switch

With its built-in solar charge controller, solar panel can be connected to this solar POE switch directly. It can also work with standard 48V POE devices and passive 24V POE device (like most wireless bridges) without extra POE injectors. Therefore, the system is dramatically simplified by using this solar POE switch. Please see the system diagram comparison between traditional one and Linovision (the right one).

- As an UPS POE Switch

It supports 110V – 240V AC input and compatible to both lead acid and lithium batteries. With this UPS POE switch, the system ensures 24-hour non-stop monitoring and operation. It can be widely used in light pole surveillance systems, or any other locations that the grid power input is not stable.

## Device Front Panel



## DIP Switch

DIP Switch	Status	Description
1-PoE Watchdog	Up	All PoE ports enable PoE watchdog function, which can detect and reboot the offline compliant PoE powered devices automatically.
	Down	Turn off PoE watchdog function
2-VLAN	Up	All downlink ports are isolated from each other, but can communicate with uplink ports.
	Down	Turn off VLAN function
3-EXTEND	Up	The data and PoE power's transmission distance of port 1~5 can be up to 250m.
	Down	The data and PoE power's transmission distance of port 1~5 can be up to 100m.
4-Port 4	Up	Port 4 can be compatible with 24V forced PoE powered devices
	Down	Port 4 can auto-detect 24V passive or 802.3af/at PoE powered device
5-Port 5	Up	Port 5 can be compatible with 24V forced PoE powered devices
	Down	Port 4 can auto-detect 24V passive or 802.3af/at PoE powered device

## PoE Ports

Port	MAX power	Voltage	Application	PIN
Port 1	60W	802.3af/at/bt 48V	Dome camera	1,2,4,5+ 3,6,7,8-
Port 2-3	30W	802.3af/at 48V	Bullet camera	1,2+ 3,6-
Port 4-5	30W	Passive 24V/802.3af/at 48V	Wireless Transmitter	1,2,4,5+ 3,6,7,8-

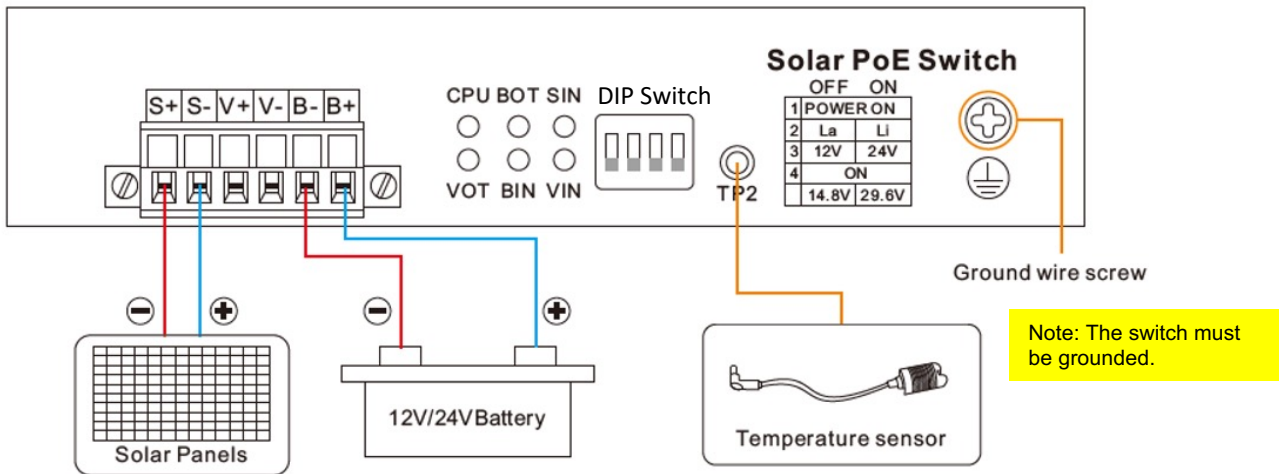
## LED Indicator

Function Indicators (Front Panel)	Status	Description	Function Indicators	Status	Description
4B: Port 4-24V PoE	On	24V PoE on	5B Port 5 - 24V PoE	On	24V PoE on
	Off	No 24V PoE		Off	No 24V PoE
4A: Port 4-48V PoE	On	48V PoE on	5A Port 5 - 48V PoE	On	48V PoE on
	Off	No 48V PoE		Off	No 48V PoE
6: Port 6-SFP slot	On	Link established	PW: Power	On	Power on
	Off	No link		Off	No power
BOT: Battery Discharge	Solid on	Battery is discharging and battery capacity is > 15%	BIN: Battery Charging	Solid on	Battery is charging and battery capacity is < 98%
	Off	End of battery discharge or no discharge		Off	Battery is charged fully or no charging
	Blink	1/2S: Battery capacity is ≤ 15%		Blink	The battery is charging, and battery capacity is ≥ 98%

## PoE LED

Port LED Indicators	Status	Description	
PoE	Amber	On	Power on
		Off	No power
Link	Green	On	Power on
		Off	No power
Giga-Gigabit	Amber	1000Mbps link established	
		100Mbps link established	
		No link	

## Device Back Panel

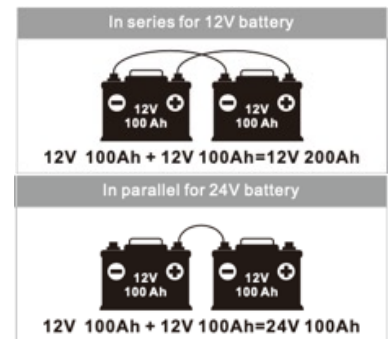


## DIP Switch to Set Battery Type

Switch 2	Switch 3	Switch 4	Battery Type
Off	Off	-	12V lead acid battery
Off	On	-	24V lead acid battery
On	Off	Off	12V lithium battery
On	On	Off	24V lithium battery
On	Off	On	14.8V lithium battery
On	On	On	29.6V lithium battery

Power on device after completing all setting.

## 12V or 24V Battery



## LED Indicator

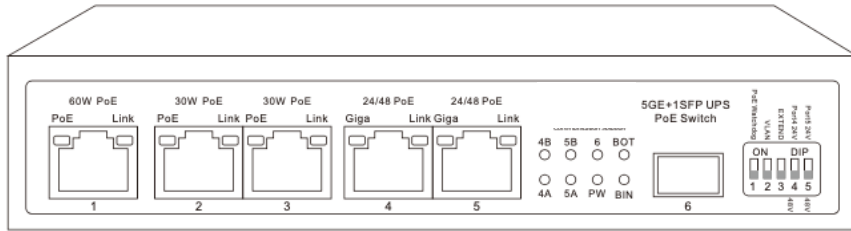
Function Indicator (Back Panel)	Status	Description	Function Indicators	Status	Description
CPU: System operation	On	System crashed	BOT: Battery Discharge	Solid on	Battery is discharging and battery capacity is >15%
	Off	System didn't start successfully		Off	End of battery discharge or no discharge
	Blink	1/2S: Battery is normal 1/4S: Battery is failure		Blink	1/2S: Battery capacity is ≤15%
SIN: Solar energy input	On	Solar energy input	BIN: Battery Charging	Solid on	Battery is charging and battery capacity is <98%
	Off	No solar energy input		Off	Battery is charged fully or no charging
	Blink	1/2S: Solar energy is in delayed charging, the time is 10mins 1/4S: Solar power voltage is wrong, stop charging		Blink	The battery is charging, and battery capacity is ≥98%
VIN: DC input	On	DC input	VOT: PoE Voltage	On	PoE Voltage is normal
	Off	No DC input		Off	No PoE Voltage
	Blink	DC input voltage is error, stop charging			

BOT and BIN indicators are off at the same time and the PoE powered devices are working normally: Battery has been Charged fully.

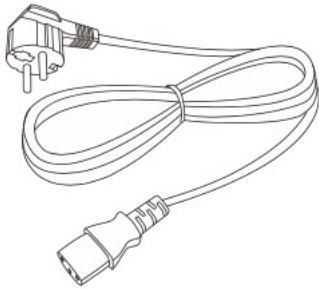
## Solar Panel Selection

12V Solar Panel	Maximum power voltage(Vmp)	26V
	Open circuit voltage(Voc)	<30V
24V Solar Panel	Maximum power voltage(Vmp)	30V
	Open circuit voltage(Voc)	≤40V
S+ S- Input Voltage For 12V Battery: DC 15-32V For 24V Battery: DC 30-57V		

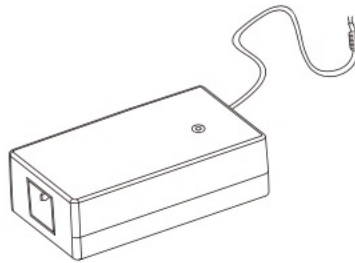
Packing



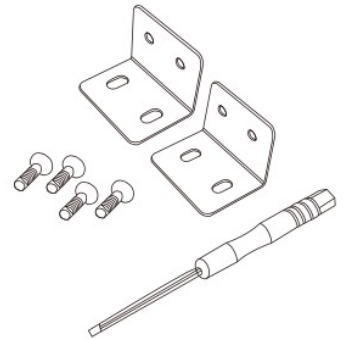
1×Solar PoE Switch



1×AC Power Cord



1×AC Adapter



Mounting Accessories  
(hook\*2; Screw Driver\*1; screw\*4)