

POE-Switch1008-Solar

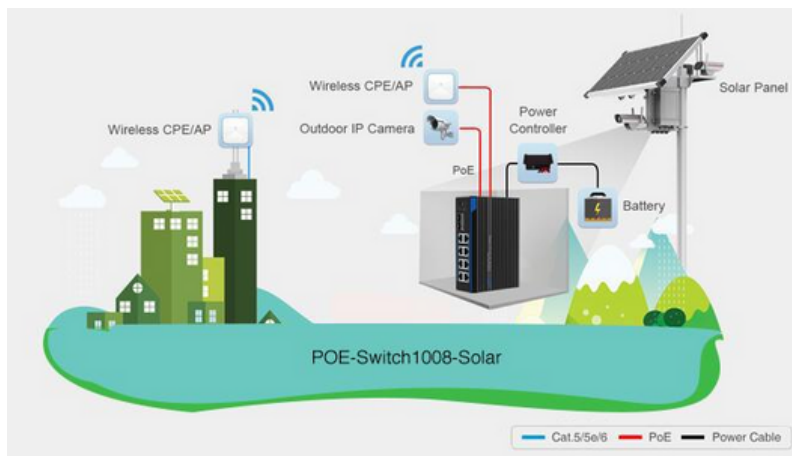
Industrial 8-Port Gigabit+2*SFP Unmanaged Switch(9.5-57V)



Outstanding Features

- 8 x 10/100/1000base-T POE ports, 2 x 1000base-X SFP ports
- Supports DC 12V / DC 24V / DC 48V wide voltage inputs, optimized for solar power system
- Compliant to IEEE802.3af/at standards, total POE power budget (240W in 48V DC mode)
- Industrial design, fanless low power consumption design, DIN rail installation
- POE watchdog, one-key broadcast storm prevention, auto reboot failure PD devices.
- Plug-n-play operation, unmanaged

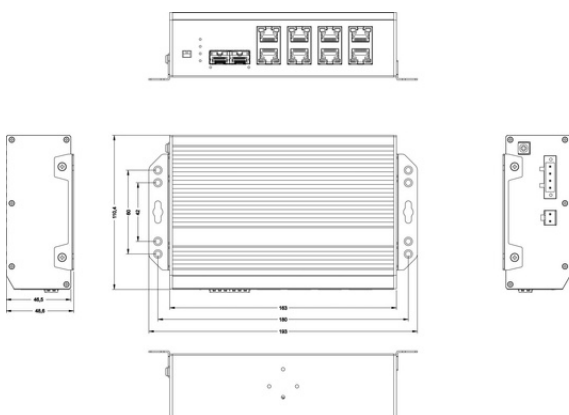
Application



Specification

Physical Port	
Downlink Ports	8*10/100/1000Base-T (PoE)
Uplink Ports	2*1000 Base-X SFP Slots
Alarm Output	One channel relay alarm output, 1A@DC 9V, 2 cores, 5.08mm terminal
DIP Switch	1.Enable / Disable fast ring & PoE watchdog, with self-healing time less than 20ms. 2. Enable / Disable broadcast storm prevention.
Switching Feature	
Standard and Protocols	IEEE802.3 , IEEE802.3u, IEEE802.3ab, IEEE802.3Z, IEEE802.3X, IEEE 802.1D, IEEE 802.1af/at
Switching Capacity	20Gbps
Packet Forwarding Rate	14.9Mpps
Buffer	2Mbit
MAC Address Table	16K
Jumbo Frame	10K bytes
LED Indicator	Port: 1*Link/Act (Green) & 1*PoE Status(Orange) 1*One-key Fast Ring (Green), 1*One-key BSP (Green), 2*PWR (Red)
PoE	
PoE Line Pair	1/2(+), 3/6(-)
PoE Output Power	Output PoE power for single port≤30W, output PoE power is 80W(12V), 120W(24V), 240W(48V).
Power Supply	
Input Terminal	4 PIN / 5.08mm
Power Supply	DC 9.5-57V DIN-rail industrial power supply (Optional)
Power Consumption	≤12W (Not include PoE)
Environment	
Surge Immunity	6KV Execute: IEC61000-4-5
ESD Immunity	6KV: Contact discharge 8KV: Air discharge Execute: IEC61000-4-2
Operating Temperature	-40-75°C
Storage Temperature	-40-85°C
Operating Humidity	5%-95% (Non-condensing)
Physical Parameter	
Material	Aluminium alloy, IP40
Dimension (L×W×H)	159mm×110mm×46.5mm
Installation	DIN rail / Wall mounted
Weight	942g
Certification	CE, FCC

Physical Features



Interface drawing

